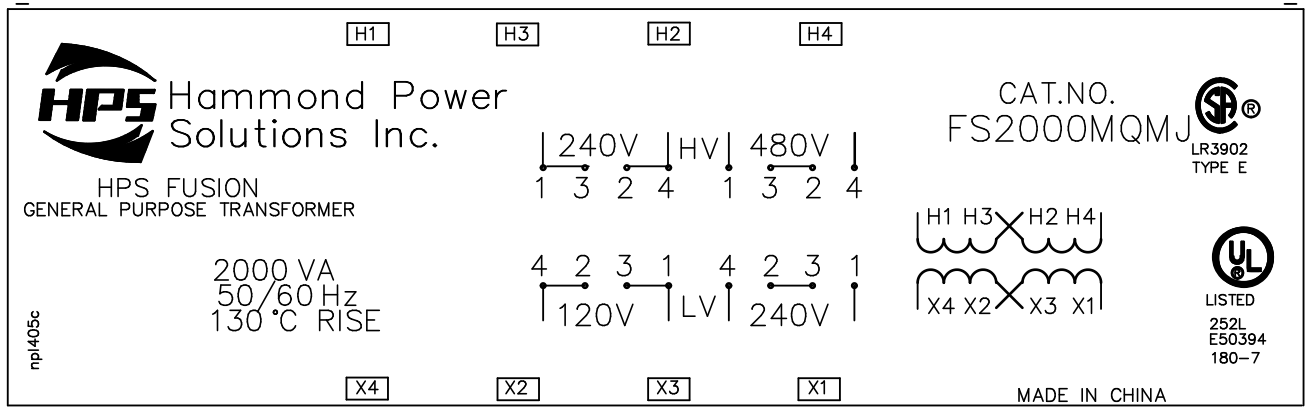


TOLERANCE +/- 0.1 IN [+/-0.3 MM]
 ALL DIMENSIONS IN INCHES [MM]

*OPTIONAL FUSEHOLDER KIT (P/N FSFH1) WILL
 ADD 0.71"[18 MM] TO THE WIDTH

THIS DRAWING CONTAINS STRICTLY CONFIDENTIAL INFORMATION BELONGING TO HAMMOND POWER SOLUTIONS AND MUST NOT BE DISTRIBUTED OUTSIDE AUTHORIZED PARTIES.



NOTES:



TITLE: 1 PH ENCLOSED GENERAL PURPOSE TX					SHEET 1 OF 1
DES: WWONG					
DATE: 10/05/19					EDBFS2000MQMJ
SCALE: NTS					
NO.	DATE	BY	REVISION		