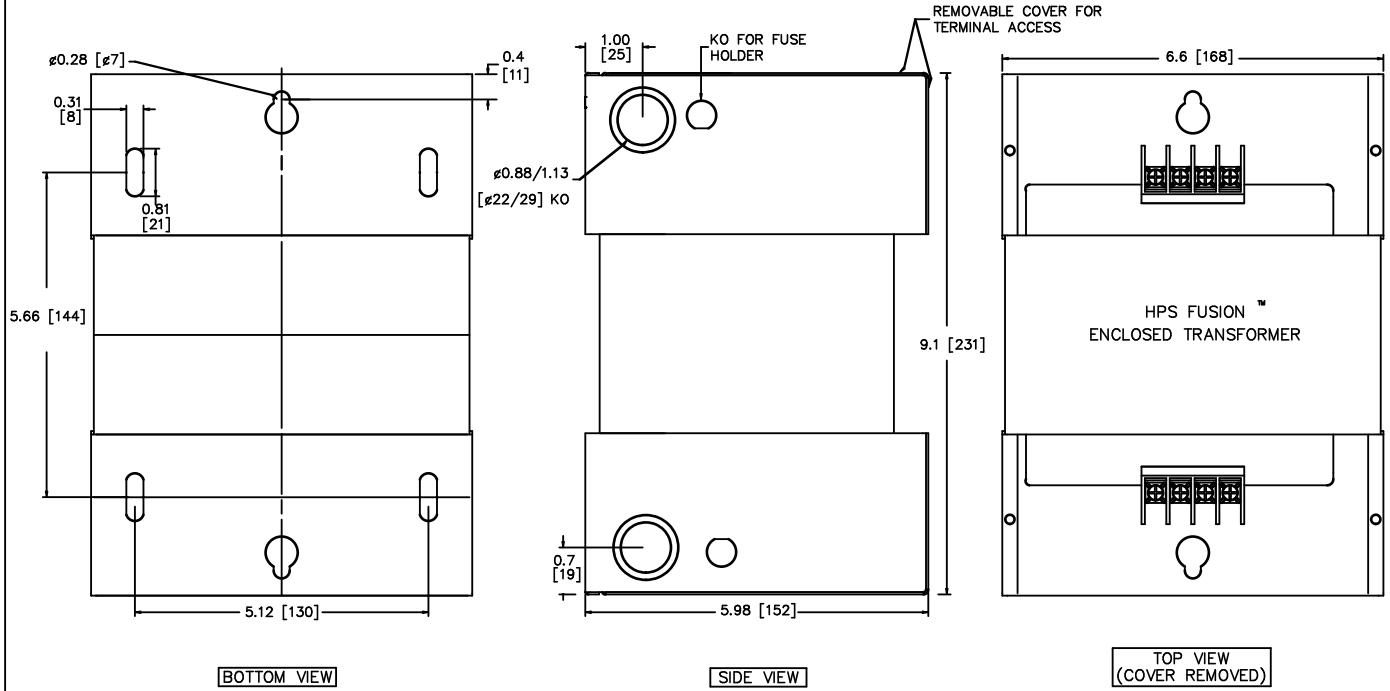


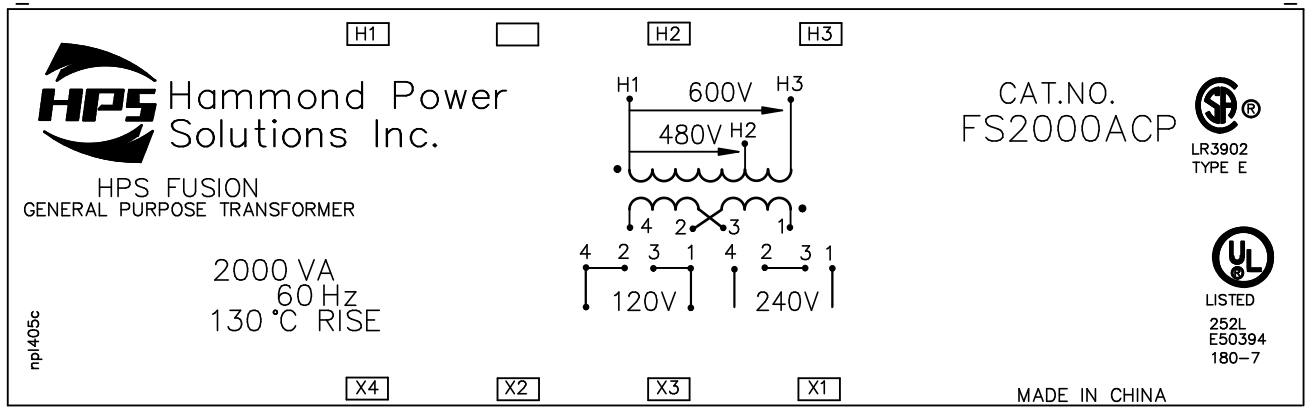
F 162x89



TOLERANCE +/- 0.1 IN [+/-0.3 MM]  
 ALL DIMENSIONS IN INCHES [MM]

\*OPTIONAL FUSEHOLDER KIT (P/N FSFH1) WILL  
 ADD 0.71"[18 MM] TO THE WIDTH

THIS DRAWING CONTAINS STRICTLY CONFIDENTIAL INFORMATION BELONGING TO HAMMOND POWER SOLUTIONS AND MUST NOT BE DISTRIBUTED OUTSIDE AUTHORIZED PARTIES.



NOTES:



TITLE: 1 PH ENCLOSED GENERAL PURPOSE TX				DES: WWONG
DATE: 10/06/04				
NO.	DATE	BY	REVISION	SCALE: NTS

SHEET 1 OF 1  
 EDRFS2000ACP

0.3 httpd 2026/06/04 19:22