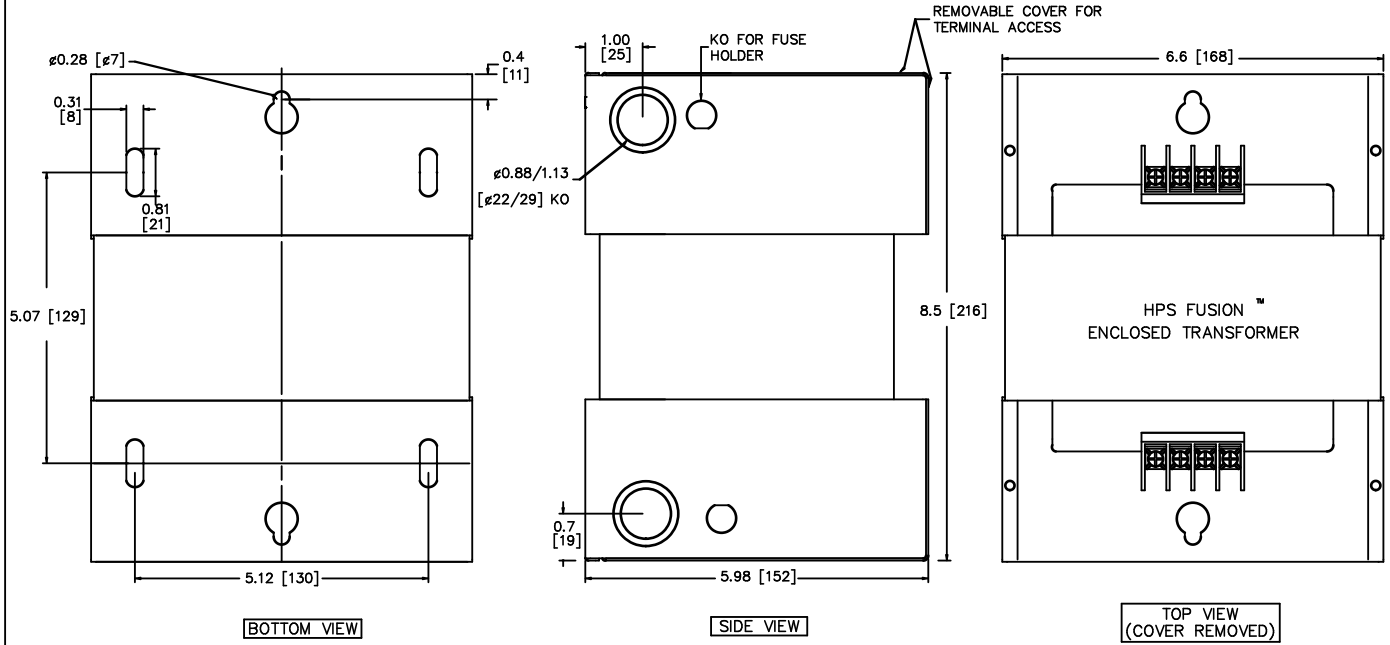


F 162x74



TOLERANCE +/- 0.1 IN [+/-0.3 MM]  
 ALL DIMENSIONS IN INCHES [MM]

\*OPTIONAL FUSEHOLDER KIT (P/N FSFH1) WILL  
 ADD 0.71"[18 MM] TO THE WIDTH

<b>hammond</b> POWER SOLUTIONS		CAT.NO. FS1500SP		 LR3902 TYPE E  LISTED 252L E50394 130-9
HPS FUSION GENERAL PURPOSE TRANSFORMER		HV   208V   416V   1 3 2 4 1 3 2 4 LV   120V   240V   4 2 3 1 4 2 3 1		
1500 VA 50/60 Hz 95 °C RISE		H1 H3 H2 H4 X4 X2 X3 X1		MADE IN CHINA

NOTES:

THIS DRAWING CONTAINS STRICTLY CONFIDENTIAL INFORMATION BELONGING TO HAMMOND POWER SOLUTIONS AND MUST NOT BE DISTRIBUTED OUTSIDE AUTHORIZED PARTIES.



TITLE: 1 PH ENCLOSED GENERAL PURPOSE TX					SHEET 1 OF 1	EDBFS1500SP			
DES: WWONG									
DATE: 10/05/19					NO.	DATE	BY	REVISION	SCALE: NTS
SCALE: NTS									

0.3 httpd 2026/04/11 08:27