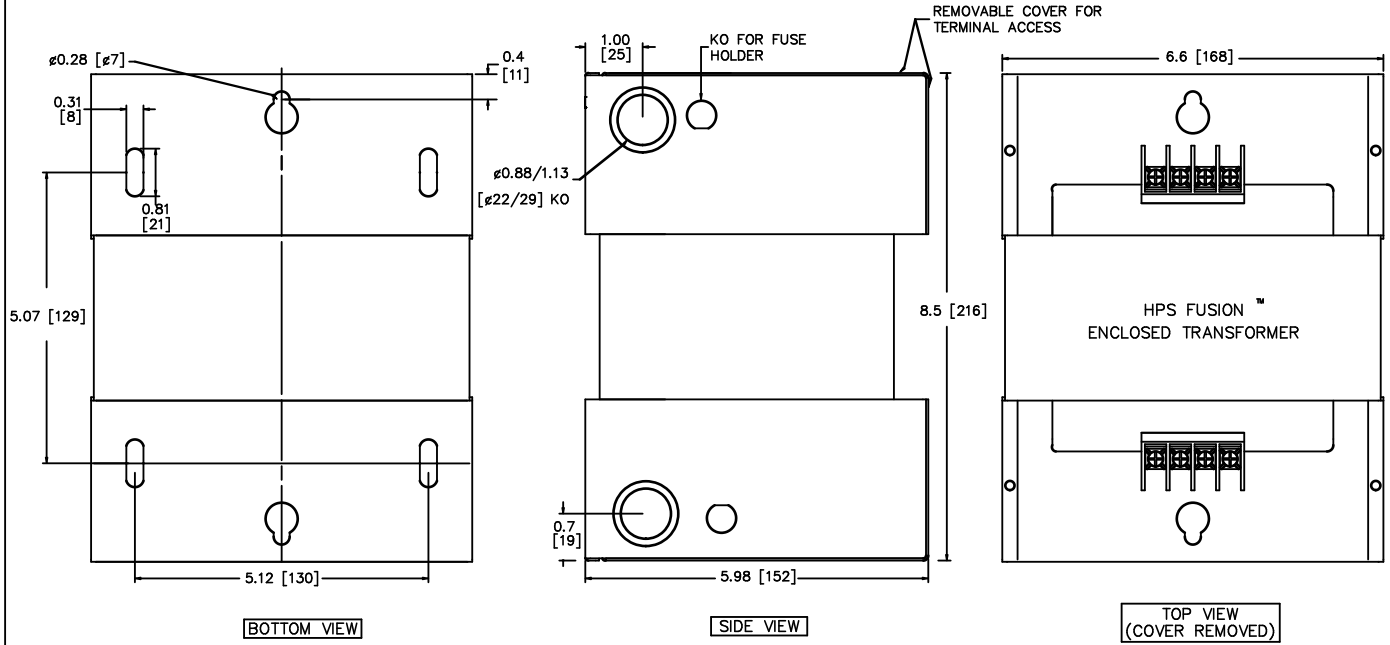


F 162x74



TOLERANCE +/- 0.1 IN [+/-0.3 MM]  
 ALL DIMENSIONS IN INCHES [MM]

\*OPTIONAL FUSEHOLDER KIT (P/N FFSH1) WILL  
 ADD 0.71"[18 MM] TO THE WIDTH

<b>hammond</b> POWER SOLUTIONS		CAT.NO. FS1500MQMJ		 LR3902 TYPE E  LISTED 252L E50394 130-9
HPS FUSION GENERAL PURPOSE TRANSFORMER		HV 240V 480V 1 3 2 4 1 3 2 4 LV 120V 240V 4 2 3 1 4 2 3 1		
1500 VA 50/60 Hz 95 °C RISE		H1 H3 H2 H4 X4 X2 X3 X1		MADE IN CHINA

NOTES:

THIS DRAWING CONTAINS STRICTLY CONFIDENTIAL INFORMATION BELONGING TO HAMMOND POWER SOLUTIONS AND MUST NOT BE DISTRIBUTED OUTSIDE AUTHORIZED PARTIES.



TITLE: 1 PH ENCLOSED GENERAL PURPOSE TX					SHEET 1 OF 1
DES: WWONG					
DATE: 10/05/19					
SCALE: NTS					
NO.	DATE	BY	REVISION		

EDBFS1500MQMJ

0.4 httpd 2026/06/03 09:47