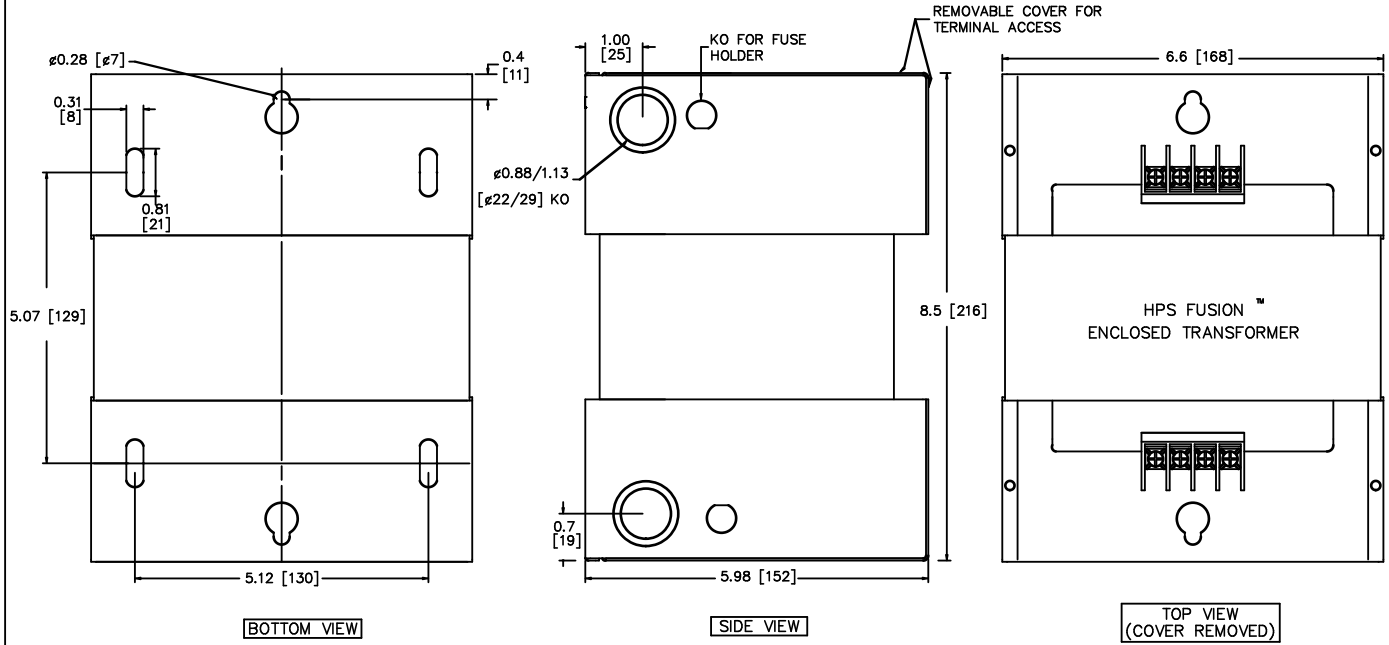


F 162x74



TOLERANCE +/- 0.1 IN [+/-0.3 MM]
 ALL DIMENSIONS IN INCHES [MM]

*OPTIONAL FUSEHOLDER KIT (P/N FSFH1) WILL
 ADD 0.71"[18 MM] TO THE WIDTH

hammond
POWER SOLUTIONS

HPS FUSION
GENERAL PURPOSE TRANSFORMER

1500 VA
50/60 Hz
95 °C RISE

np1404c

CAT.NO.
FS1500KHP

MADE IN CHINA

LR3902
TYPE E
LISTED
252L
E50394
130-9

NOTES:

THIS DRAWING CONTAINS STRICTLY CONFIDENTIAL INFORMATION BELONGING TO HAMMOND POWER SOLUTIONS AND MUST NOT BE DISTRIBUTED OUTSIDE AUTHORIZED PARTIES.



TITLE: 1 PH ENCLOSED GENERAL PURPOSE TX					SHEET 1 OF 1	EDBFS1500KHP
1	11/10/11	LC	CHANGED TEMPERATURE RISE FROM 130 TO 95	DES: WWONG		
NO.	DATE	BY	REVISION	SCALE: NTS		