


- IMPEDANCE SHOWN IS CALCULATED VALUE - NOT GUARANTEED  
 - SERIAL NUMBER AND TESTED IMPEDANCE WILL BE SHOWN ON TRANSFORMER NAMEPLATE

**hammond**  
POWER SOLUTIONS

**HPS Fortress™ C**  
Dry Type Encapsulated Transformer  
Transformateur de Type Sec Encapsulé

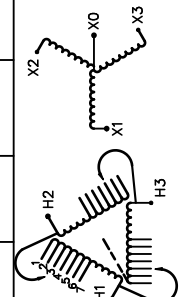
Guelph, ONT Baraboo, WI  
Compton, CA Monterrey, MX

Part No. FC2A0075PK

GENERAL PURPOSE TRANSFORMER 252L E0394  
 LISTED LR3902

Cust. Ref. Ref. du Client	Serial No. No. de Serie	VOLTS	CURRENT COURANT	% RATED VOLTAGE % TENSION NOMINALE	CONNECTION EACH PHASE CONNECTION PAR PHASE
3	HV/HT	600V	68.7	105	1
QT	BIL	10 kV	70.4	102.5	2
ANC	Term Bornes	H1 H2 H3	72.2	100	3
75	LV/BT	480Y/277V 90.2A	74.0	97.5	4
135 °C	BIL	10 kV	76.0	95	5
220 °C	Term Bornes	X0 X1 X2 X3	78.0	92.5	6
AL			80.2	90	7

SPACINGS BETWEEN ANY VENTILATED ENCLOSURE PANEL AND ANY ADJACENT WALL SHALL BE A MINIMUM OF 3 INCHES ELECTROSTATIC SHIELD



d000200bqfc



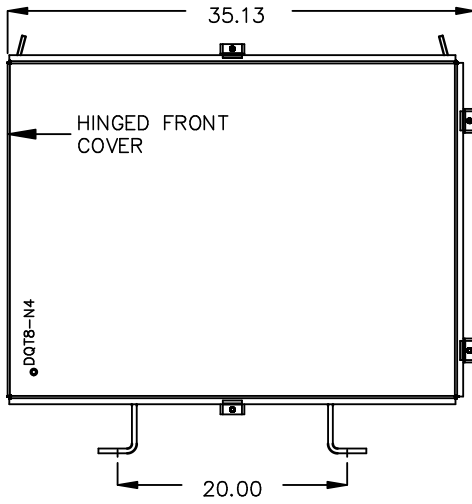
TITLE:		3PH DISTRIBUTION TRANSFORMER NAMEPLATE INFORMATION	
NO.	DATE	BY	REVISION

DES:	PGAUETR
DATE:	24/11/27
SCALE:	NTS

SHEET 1 OF 2

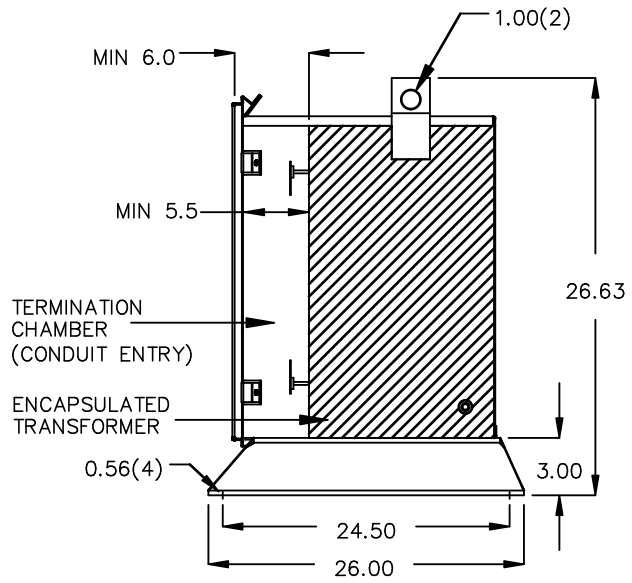
EDBFC2A0075PK

FRONT VIEW



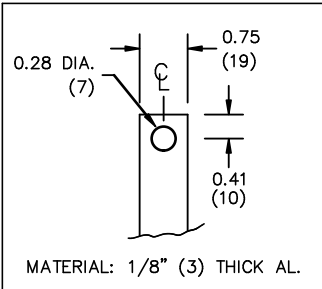
All Dimensions in inches

SIDE VIEW

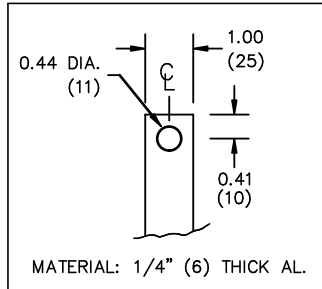


ENCLOSURE COLOR : ANSI 61 GREY – OUTDOOR

HV TERMINAL DETAIL



LV TERMINAL DETAIL



CUSTOMER NOTES:

- HV TERMINATED AT BOTTOM FRONT
- LV TERMINATED AT TOP FRONT



TITLE: 3PH DISTRIBUTION TRANSFORMER

DES:	PGAUETR
DATE:	24/11/27
SCALE:	NTS

NO.	DATE	BY	REVISION

SHEET 2 OF 2

EDBFC2A0075PK