



TITLE: 3PH DISTRIBUTION TRANSFORMER
NAMEPLATE INFORMATION

NO.	DATE	BY	REVISION

DES:	PPICASSI
DATE:	23/12/07
SCALE:	NTS

SHEET 1 OF 2

EDBFC2A0075KB

0.0 httpd 2026/04/06 00:25

THIS DRAWING CONTAINS STRICTLY CONFIDENTIAL INFORMATION BELONGING TO HAMMOND POWER SOLUTIONS AND MUST NOT BE DISTRIBUTED OUTSIDE AUTHORIZED PARTIES.

hammond
POWER SOLUTIONS

Guelph, ONT Compton, CA Baraboo, WI
Monterrey, MX

HPS Fortress™ C
Dry Type Encapsulated Transformer
Transformateur de Type Sec Encapsulé

Part No. FC2A0075KB

GENERAL PURPOSE TRANSFORMER 252L E0394

8 03423 19941 18

UL LISTED LR3902

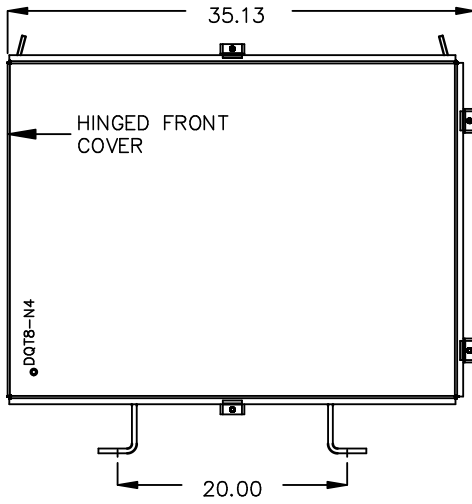
Cust. Ref. Ref. du Client	Serial No. No. de Serie	HV/HT	480V	90.2A
Phase	3	BIL	10 kV	
Type	QT	Term Bornes	H1 H2 H3	
Cooling Refroidissement	ANC	LV/BT	208Y/120V	208A
kVA	75	BIL	10 kV	
Temp. Rise Echauffement	135 °C	Term Bornes	X0 X1 X2 X3	
Temp Class Classe Temp	220 °C	Winding Enroulement		
Frequency Frequence Hz	60	Impedance % @ 155 °C		
Encl. Type Type De Coffrage	4			
Weight Poids	1040/472			

VOLTS	CURRENT COURANT	% RATED VOLTAGE % TENSION NOMINALE	CONNECTION EACH PHASE CONNECTION PAR PHASE
504	85.9	105	1
480	88.0	102.5	2
468	90.2	100	3
456	92.5	97.5	4
444	95.0	95	5
432	97.5	92.5	6
	100.2	90	7

SPACINGS BETWEEN ANY VENTILATED ENCLOSURE PANEL AND ANY ADJACENT WALL SHALL BE A MINIMUM OF 3 INCHES ELECTROSTATIC SHIELD

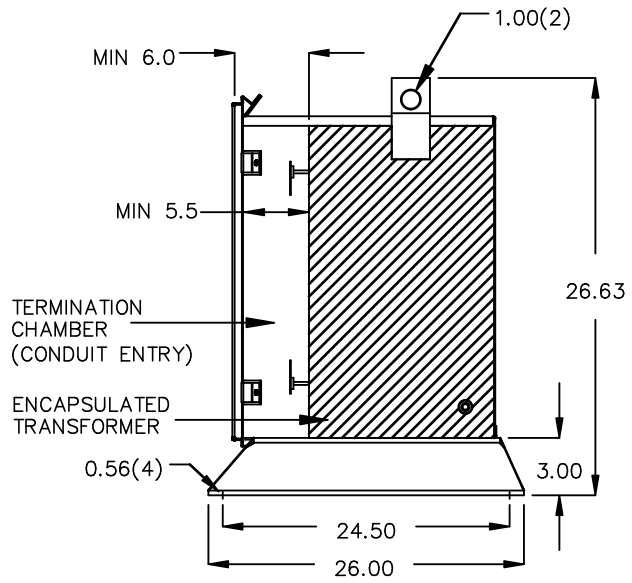
d000200bqfc

FRONT VIEW



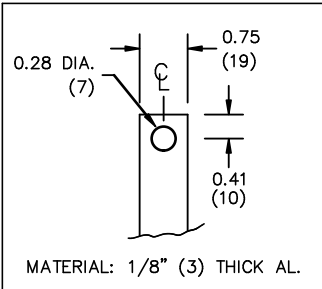
All Dimensions in inches

SIDE VIEW

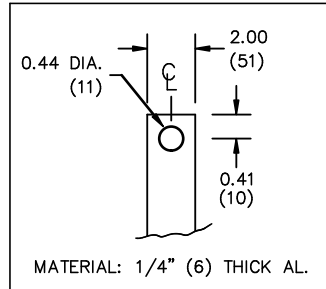


ENCLOSURE COLOR : ANSI 61 GREY – OUTDOOR

HV TERMINAL DETAIL



LV TERMINAL DETAIL



CUSTOMER NOTES:

- HV TERMINATED AT BOTTOM FRONT
- LV TERMINATED AT TOP FRONT



TITLE: 3PH DISTRIBUTION TRANSFORMER

DES:	PPICASSI
DATE:	23/12/07
SCALE:	NTS

NO.	DATE	BY	REVISION

SHEET 2 OF 2

EDBFC2A0075KB