



TITLE: 3PH DISTRIBUTION TRANSFORMER
NAMEPLATE INFORMATION

NO.	DATE	BY	REVISION

DES:	PPICASSI
DATE:	23/12/07
SCALE:	NTS

SHEET 1 OF 2

EDBFC2A0045PB

0.0 httpd 2026/04/01 21:44

THIS DRAWING CONTAINS STRICTLY CONFIDENTIAL INFORMATION BELONGING TO HAMMOND POWER SOLUTIONS AND MUST NOT BE DISTRIBUTED OUTSIDE AUTHORIZED PARTIES.

hammond
POWER SOLUTIONS

Guelph, ONT Compton, CA Baraboo, WI Monterrey, MX

HPS Fortress™ C
Dry Type Encapsulated Transformer
Transformateur de Type Sec Encapsulé

Part No. FC2A0045PB

GENERAL PURPOSE TRANSFORMER 8 03423 19940 11
2521 250394
LISTED

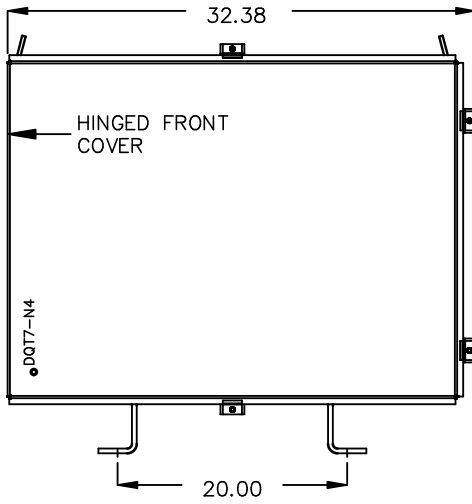
Cust. Ref. Ref. du Client	Serial No. No. de Serie	600V	43.3A		
Phase	3	HV/HT			
Type	QT	BIL	10 kV		
Cooling Refrondissement	ANC	Term Bornes	H1 H2 H3		
kVA	45	LV/BT	208Y/120V 125A		
Temp. Rise Echauffement	135 °C	BIL	10 kV		
Temp Class Classe Temp	220 °C	Term Bornes	X0 X1 X2 X3		
Winding Enroulement	AL				
Frequency Frequence Hz	60				
Impedance % @ 155 °C	2.2				
Encl. Type Type De Coffrage	4				
Weight Poids	674/306				

VOLTS	CURRENT COURANT	% RATED VOLTAGE % TENSION NOMINALE	CONNECTION EACH PHASE CONNECTION PAR PHASE
630	41.2	105	1
615	42.2	102.5	2
600	43.3	100	3
585	44.4	97.5	4
570	45.6	95	5
555	46.8	92.5	6
540	48.1	90	7

SPACINGS BETWEEN ANY VENTILATED ENCLOSURE PANEL AND ANY ADJACENT WALL SHALL BE A MINIMUM OF 3 INCHES ELECTROSTATIC SHIELD

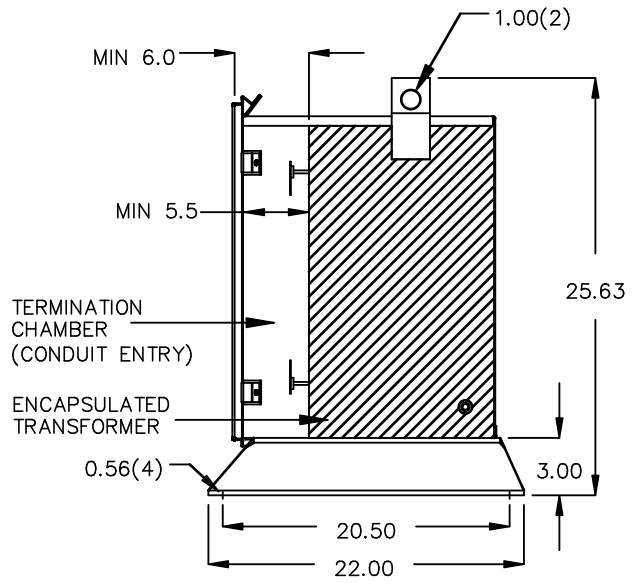
d000200bqfc

FRONT VIEW



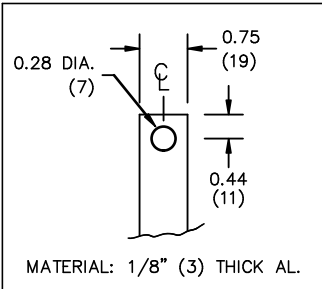
All Dimensions in inches

SIDE VIEW

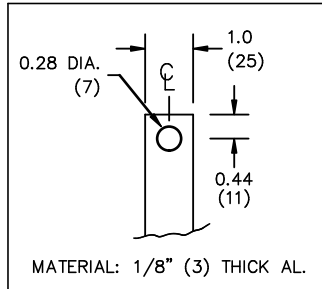


ENCLOSURE COLOR : ANSI 61 GREY – OUTDOOR

HV TERMINAL DETAIL



LV TERMINAL DETAIL



CUSTOMER NOTES:

- HV TERMINATED AT BOTTOM FRONT
- LV TERMINATED AT TOP FRONT



TITLE: 3PH DISTRIBUTION TRANSFORMER

DES:	PPICASSI
DATE:	23/12/07
SCALE:	NTS

NO.	DATE	BY	REVISION

SHEET 2 OF 2

EDBFC2A0045PB