



TITLE: 3PH DISTRIBUTION TRANSFORMER
NAMEPLATE INFORMATION

DES:	RHARISH
DATE:	26/03/19
SCALE:	NTS

SHEET 1 OF 2

EDBFC2A0045KD

0.0 httpd 2026/06/04 14:08

THIS DRAWING CONTAINS STRICTLY CONFIDENTIAL INFORMATION BELONGING TO HAMMOND POWER SOLUTIONS AND MUST NOT BE DISTRIBUTED OUTSIDE AUTHORIZED PARTIES.

hammond
POWER SOLUTIONS

Guelph, ONT Baraboo, WI
Compton, CA Monterrey, MX

HPS Fortress™ C

Dry Type Encapsulated Transformer
Transformateur de Type Sec Encapsulé



GENERAL PURPOSE TRANSFORMER 2521 E30394

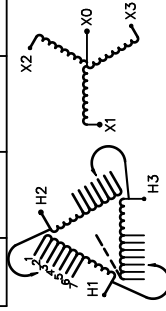
LISTED LR3902

Part No. FC2A0045KD

Cust. Ref. Ref. du Client	Serial No. No. de Serie		
Phase	HV/HT	480V	54.1A
Type	BIL	10 kV	
Cooling Refroidissement	ANC	H1 H2 H3	
kVA	45	240Y/139V	108.3A
Temp. Rise Echauffement	135 °C	10 kV	
Temp Class Classe Temp	220 °C	X0 X1 X2 X3	
Winding Enroulement	AL		
Frequency Frequence Hz	60		
Impedance % @ 155 °C	2.9		
Encl. Type Type De Coffrage	4		
Weight Poids lbs/kg	710/323		

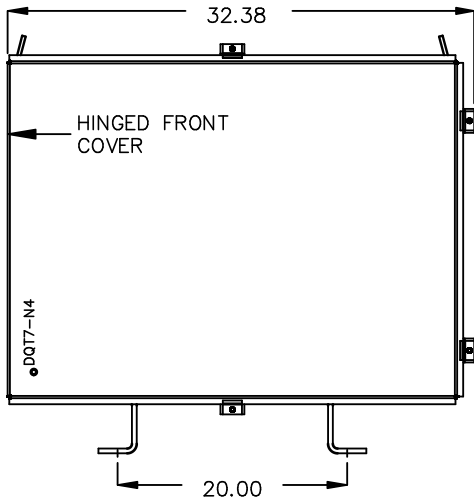
VOLTS	CURRENT COURANT	% RATED VOLTAGE % TENSION NOMINALE	CONNECTION EACH PHASE CONNECTION PAR PHASE
504	51.5	105	1
480	52.8	102.5	2
468	54.1	100	3
456	55.5	97.5	4
444	57.0	95	5
432	58.5	92.5	6
	60.1	90	7

SPACINGS BETWEEN ANY VENTILATED ENCLOSURE PANEL AND ANY ADJACENT WALL SHALL BE A MINIMUM OF 3 INCHES ELECTROSTATIC SHIELD



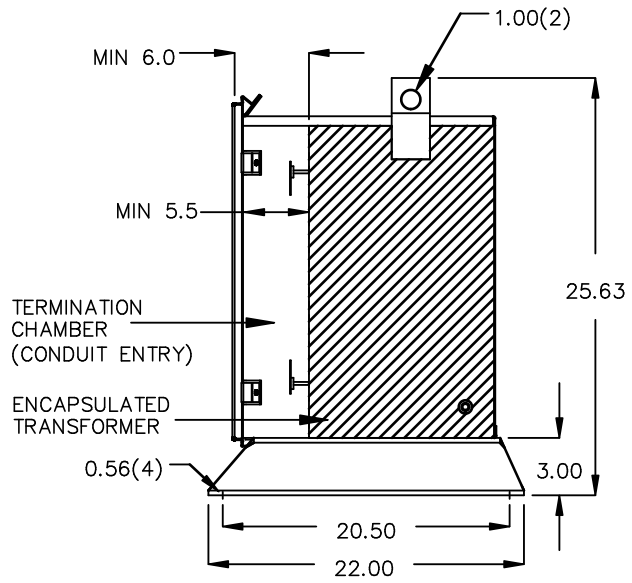
d000200bqfc

FRONT VIEW



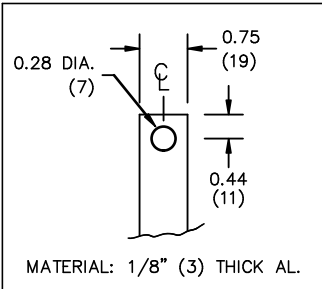
All Dimensions in inches

SIDE VIEW

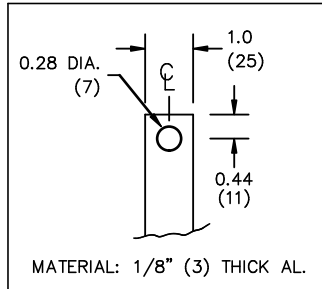


ENCLOSURE COLOR : ANSI 61 GREY – OUTDOOR

HV TERMINAL DETAIL



LV TERMINAL DETAIL



CUSTOMER NOTES:

- HV TERMINATED AT BOTTOM FRONT
- LV TERMINATED AT TOP FRONT



TITLE: 3PH DISTRIBUTION TRANSFORMER

DES:	RHARISH
DATE:	26/03/19
SCALE:	NTS

NO.	DATE	BY	REVISION

SHEET 2 OF 2

EDBFC2A0045KD