



TITLE: 3PH DISTRIBUTION TRANSFORMER  
NAMEPLATE INFORMATION

|     |      |    |          |
|-----|------|----|----------|
| NO. | DATE | BY | REVISION |
|     |      |    |          |

|        |          |
|--------|----------|
| DES:   | PPICASSI |
| DATE:  | 23/12/07 |
| SCALE: | NTS      |

SHEET 1 OF 2

EDBFC2A0045KB

0.0 httpd 2026/06/04 04:40

THIS DRAWING CONTAINS STRICTLY CONFIDENTIAL INFORMATION BELONGING TO HAMMOND POWER SOLUTIONS AND MUST NOT BE DISTRIBUTED OUTSIDE AUTHORIZED PARTIES.

**hammond**  
POWER SOLUTIONS

Guelph, ONT Compton, CA Baraboo, WI  
Monterrey, MX

**HPS Fortress™ C**  
Dry Type Encapsulated Transformer  
Transformateur de Type Sec Encapsulé

Part No. FC2A0045KB

GENERAL PURPOSE TRANSFORMER 2521 E30394  
LISTED LR3902

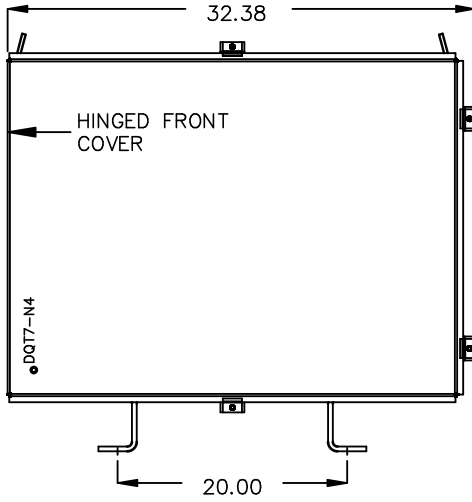
|                                |                            |                         |             |         |
|--------------------------------|----------------------------|-------------------------|-------------|---------|
| Cust. Ref.<br>Ref. du Client   | Serial No.<br>No. de Serie | HV/HT                   | 480V        | 54.1A   |
| Phase                          | 3                          | BIL                     | 10 kV       |         |
| Type                           | QT                         | Term Bornes             | H1 H2 H3    |         |
| Cooling<br>Refroidissement     | ANC                        | LV/BT                   | 208Y/120V   | 125A    |
| kVA                            | 45                         | BIL                     | 10 kV       |         |
| Temp. Rise<br>Echauffement     | 135 °C                     | Term Bornes             | X0 X1 X2 X3 |         |
| Temp Class<br>Classe Temp      | 220 °C                     | Winding<br>Enroulement  |             |         |
| Frequency<br>Frequence Hz      | 60                         | Impedance %<br>@ 155 °C |             |         |
| Encl. Type<br>Type De Coffrage | 4                          | Weight<br>Poids lbs/kg  |             | 649/295 |

| VOLTS | CURRENT<br>COURANT | % RATED<br>VOLTAGE<br>% TENSION<br>NOMINALE | CONNECTION<br>EACH PHASE<br>CONNECTION<br>PAR PHASE |
|-------|--------------------|---|---|
| 504   | 51.5               | 105   | 1   |
| 480   | 52.8               | 102.5                                       | 2   |
| 468   | 54.1               | 100   | 3   |
| 456   | 55.5               | 97.5  | 4   |
| 444   | 57.0               | 95  | 5   |
| 432   | 58.5               | 92.5  | 6   |
|       | 60.1               | 90  | 7   |

SPACINGS BETWEEN ANY VENTILATED ENCLOSURE PANEL AND ANY ADJACENT WALL SHALL BE A MINIMUM OF 3 INCHES ELECTROSTATIC SHIELD

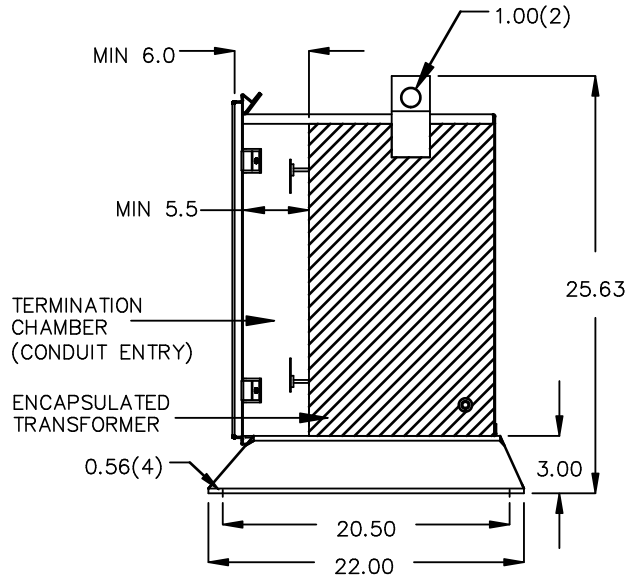
d000200bqfc

FRONT VIEW



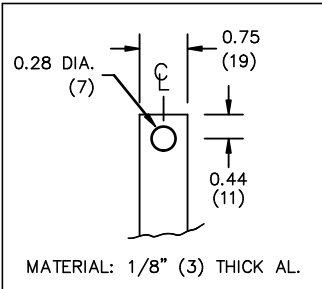
All Dimensions in inches

SIDE VIEW

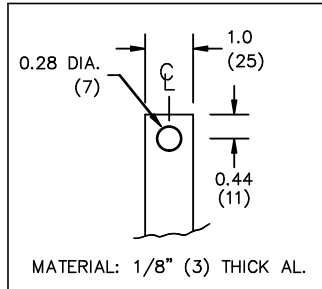


ENCLOSURE COLOR : ANSI 61 GREY – OUTDOOR

HV TERMINAL DETAIL



LV TERMINAL DETAIL



CUSTOMER NOTES:

- HV TERMINATED AT BOTTOM FRONT
- LV TERMINATED AT TOP FRONT



TITLE: 3PH DISTRIBUTION TRANSFORMER

|        |          |
|--------|----------|
| DES:   | PPICASSI |
| DATE:  | 23/12/07 |
| SCALE: | NTS      |

| NO. | DATE | BY | REVISION |
|-----|------|----|----------|
|     |      |    |          |

SHEET 2 OF 2

EDBFC2A0045KB