



TITLE: 3PH DISTRIBUTION TRANSFORMER
NAMEPLATE INFORMATION

1	25/05/01	RH	UPDATED LVP	DES: PPICASSI
NO.	DATE	BY	REVISION	SCALE: NTS

SHEET 1 OF 2

EDBFC2A0045DB

1.0 httpd 2026/06/04 19:28

THIS DRAWING CONTAINS STRICTLY CONFIDENTIAL INFORMATION BELONGING TO HAMMOND POWER SOLUTIONS AND MUST NOT BE DISTRIBUTED OUTSIDE AUTHORIZED PARTIES.



HPS Fortress™ C

Dry Type Encapsulated Transformer

Transformateur de Type Sec Encapsulé

Guelph, ONT Baraboo, WI
Compton, CA Monterrey, MX

Part No. FC2A0045DB



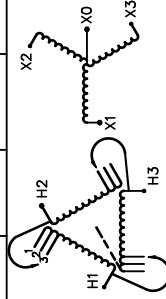
GENERAL PURPOSE TRANSFORMER 252L E30394

LISTED

Cust. Ref. Ref. du Client	Serial No. No. de Serie		
Phase	HV/HT	240V	108.3A
Type	BIL	10 kV	
Cooling Refroidissement	ANC	H1 H2 H3	
kVA	45	208Y/120V	125A
Temp. Rise Echauffement	135 °C	10 kV	
Temp Class Classe Temp	220 °C	X0 X1 X2 X3	
Winding Enroulement	AL		
Frequency Frequence Hz	60		
Impedance % @ 155 °C	2.3		
Encl. Type Type De Coffrage	4		
Weight Poids	lbs/kg	655/298	

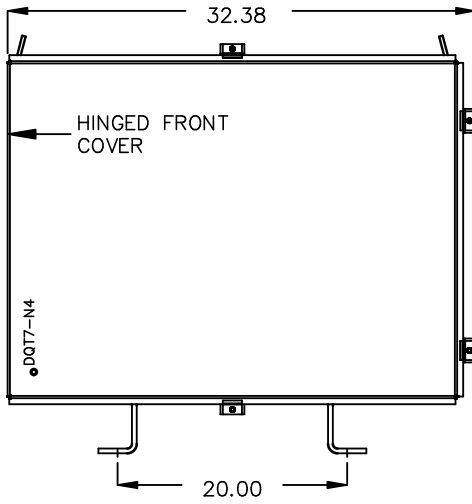
VOLTS	CURRENT COURANT	% RATED % TENSION NOMINALE	CONNECTION EACH PHASE CONNECTION PAR PHASE
252	103.1	105	1
240	108.3	100	2
228	114	95	3

SPACINGS BETWEEN ANY VENTILATED ENCLOSURE PANEL AND ANY ADJACENT WALL SHALL BE A MINIMUM OF 3 INCHES ELECTROSTATIC SHIELD



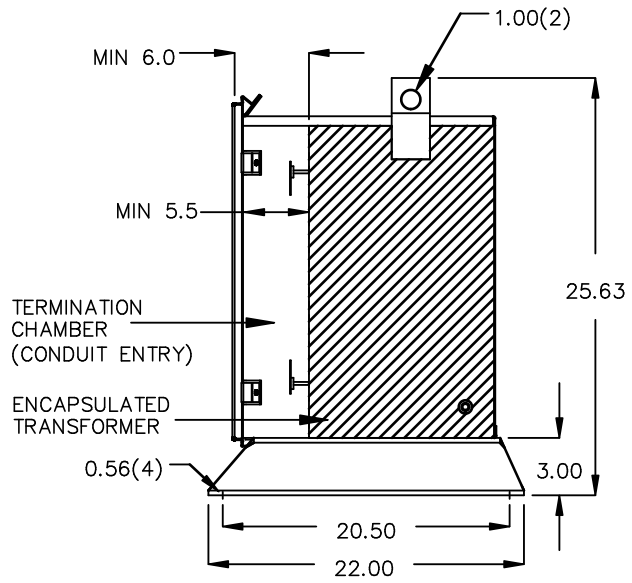
d000200bqfc

FRONT VIEW



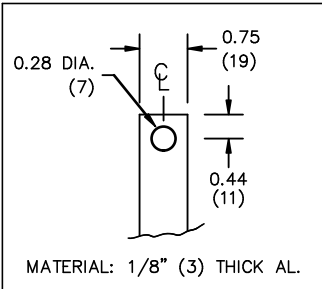
All Dimensions in inches

SIDE VIEW

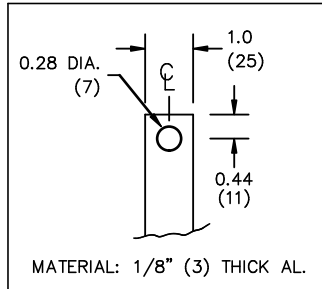


ENCLOSURE COLOR : ANSI 61 GREY – OUTDOOR

HV TERMINAL DETAIL



LV TERMINAL DETAIL



CUSTOMER NOTES:

- HV TERMINATED AT BOTTOM FRONT
- LV TERMINATED AT TOP FRONT



TITLE: 3PH DISTRIBUTION TRANSFORMER

1	25/05/01	RH	UPDATED LVP	DES: PPLICASSI
NO.	DATE	BY	REVISION	SCALE: NTS

SHEET 2 OF 2

EDBFC2A0045DB