



TITLE: 3PH DISTRIBUTION TRANSFORMER  
NAMEPLATE INFORMATION

NO.	DATE	BY	REVISION

DES:	RHARISH
DATE:	24/04/11
SCALE:	NTS

SHEET 1 OF 2

EDBFC2A0030PK

0.0 httpd 2026/06/03 14:48

THIS DRAWING CONTAINS STRICTLY CONFIDENTIAL INFORMATION BELONGING TO HAMMOND POWER SOLUTIONS AND MUST NOT BE DISTRIBUTED OUTSIDE AUTHORIZED PARTIES.

**POWER SOLUTIONS**  
Guelph, ONT  
Compton, CA

**HPS Fortress™ C**  
Dry Type Encapsulated Transformer  
Transformateur de Type Sec Encapsulé

GENERAL PURPOSE TRANSFORMER  
2521  
E0394  
**LISTED**

Part No. FC2A0030PK

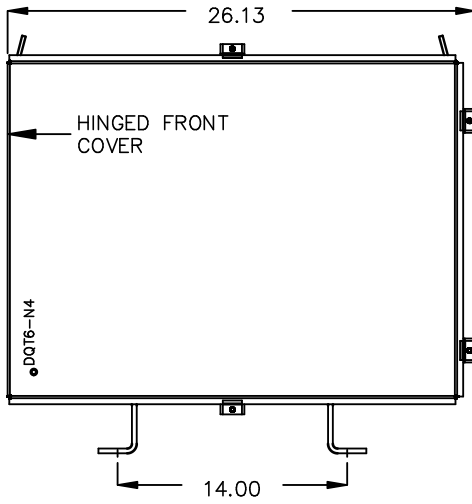
Cust. Ref. Ref. du Client	Serial No. No. de Serie	600V	28.9A		
Phase	HV/HT	10 kV			
Type	BIL	H1 H2 H3			
Cooling Refrondissement	Term Bornes	480Y/277V	36.1A		
kVA	LV/BT	10 kV			
Temp. Rise Echauffement	BIL	X0 X1 X2 X3			
Temp Class Classe Temp	Term Bornes				
Winding Enroulement	AL				
Frequency Frequence Hz	60				
Impedance % @ 155°C	1.7				
Encl. Type Type De Coffrage	4				
Weight Poids	lbs/kg	495/225			

VOLTS	CURRENT COURANT	% RATED VOLTAGE % TENSION NOMINALE	CONNECTION EACH PHASE CONNECTION PAR PHASE
630	27.5	105	1
615	28.2	102.5	2
600	28.9	100	3
585	29.6	97.5	4
570	30.4	95	5
555	31.2	92.5	6
540	32.1	90	7

SPACINGS BETWEEN ANY VENTILATED ENCLOSURE PANEL AND ANY ADJACENT WALL SHALL BE A MINIMUM OF 3 INCHES ELECTROSTATIC SHIELD

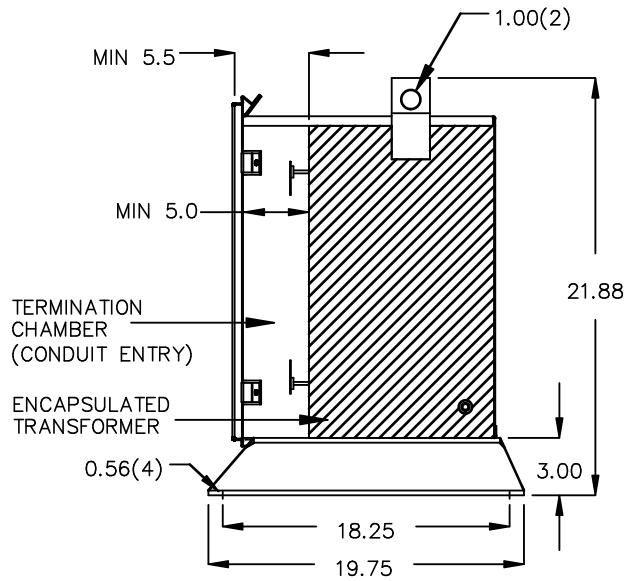
d000200bqfc

FRONT VIEW



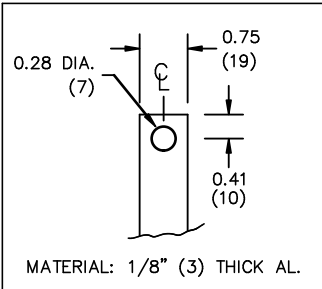
All Dimensions in inches

SIDE VIEW

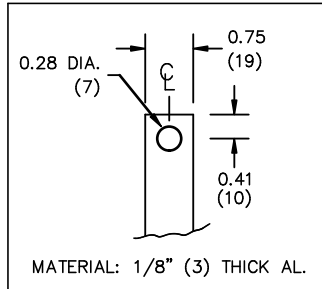


ENCLOSURE COLOR : ANSI 61 GREY – OUTDOOR

HV TERMINAL DETAIL



LV TERMINAL DETAIL



CUSTOMER NOTES:

- HV TERMINATED AT BOTTOM FRONT
- LV TERMINATED AT TOP FRONT



TITLE: 3PH DISTRIBUTION TRANSFORMER

DES:	RHARISH
DATE:	24/04/11
SCALE:	NTS

NO.	DATE	BY	REVISION

SHEET 2 OF 2

EDBFC2A0030PK