



TITLE: 3PH DISTRIBUTION TRANSFORMER
NAMEPLATE INFORMATION

NO.	DATE	BY	REVISION	DES: RHARISH
				DATE: 24/04/19
				SCALE: NTS

SHEET 1 OF 2

EDBFC2A0030BB

0.0 httpd 2026/06/03 11:52

THIS DRAWING CONTAINS STRICTLY CONFIDENTIAL INFORMATION BELONGING TO HAMMOND POWER SOLUTIONS AND MUST NOT BE DISTRIBUTED OUTSIDE AUTHORIZED PARTIES.

hammond
POWER SOLUTIONS

Guelph, ONT Compton, CA Baraboo, WI Monterrey, MX

HPS Fortress™ C
Dry Type Encapsulated Transformer
Transformateur de Type Sec Encapsulé

Part No. FC2A0030BB

GENERAL PURPOSE TRANSFORMER
252L
E0394

LISTED

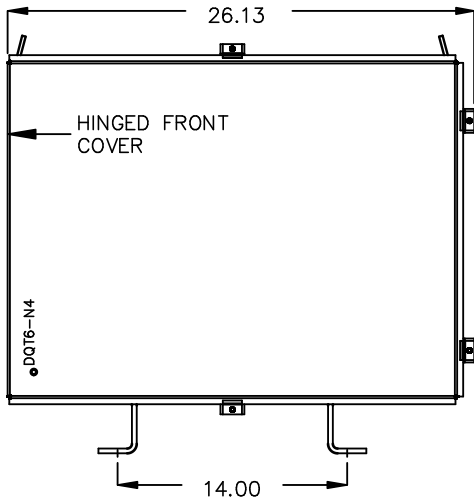
Cust. Ref. Ref. du Client	Serial No. No. de Serie	HV/HT	208V	83.3A	
Phase	3				
Type	QT	BIL	10 kV		
Cooling Refroidissement	ANC	Term Bornes	H1 H2 H3		
kVA	30	LV/BT	208Y/120V	83.3A	
Temp. Rise Echauffement	135 °C	BIL	10 kV		
Temp Class Classe Temp	220 °C	Term Bornes	X0 X1 X2 X3		
Winding Enroulement	AL				
Frequency Frequence Hz	60				
Impedance % @ 155 °C	2.1				
Encl. Type Type De Coffrage	4				
Weight Poids	515/234				

VOLTS	CURRENT COURANT	% RATED % TENSION NOMINALE	CONNECTION EACH PHASE CONNECTION PAR PHASE
215	80.5	103.5	1
212	81.8	101.8	2
208	83.3	100	3
204	84.8	98.3	4
201	86.3	96.5	5
197	87.9	94.8	6
193	89.5	93	7

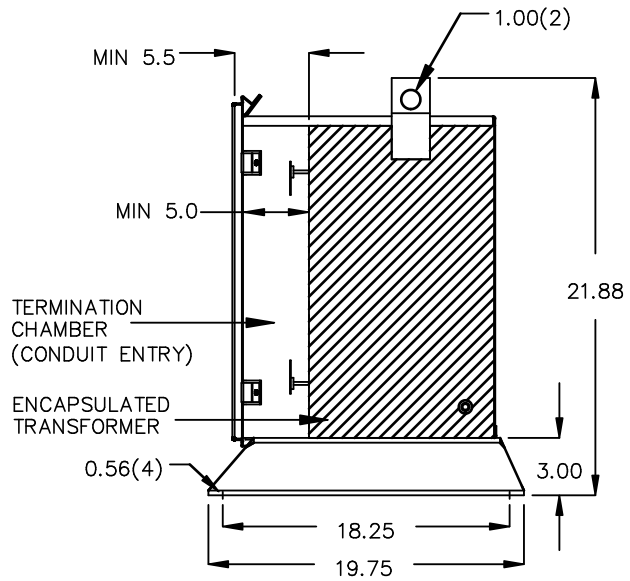
SPACINGS BETWEEN ANY VENTILATED ENCLOSURE PANEL AND ANY ADJACENT WALL SHALL BE A MINIMUM OF 3 INCHES ELECTROSTATIC SHIELD

d000200bqfc

FRONT VIEW



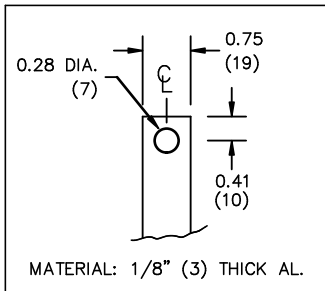
SIDE VIEW



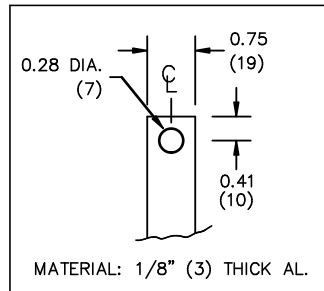
All Dimensions in inches

ENCLOSURE COLOR : ANSI 61 GREY – OUTDOOR

HV TERMINAL DETAIL



LV TERMINAL DETAIL



CUSTOMER NOTES:

- HV TERMINATED AT BOTTOM FRONT
- LV TERMINATED AT TOP FRONT



TITLE: 3PH DISTRIBUTION TRANSFORMER

DES:	RHARISH
DATE:	24/04/19
SCALE:	NTS

NO.	DATE	BY	REVISION

SHEET 2 OF 2

EDBFC2A0030BB