



TITLE: 3PH DISTRIBUTION TRANSFORMER
NAMEPLATE INFORMATION

NO.	DATE	BY	REVISION

DES: PPI/CASSI
DATE: 24/05/10
SCALE: NTS

SHEET 1 OF 2

EDBFC2A0015PK

0.0 httpd 2026/06/03 11:51

hammond
POWER SOLUTIONS

Guelph, ONT Baraboo, WI
Compton, CA Monterrey, MX

HPS Fortress™ C
Dry Type Encapsulated Transformer
Transformateur de Type Sec Encapsulé

Part No. FC2A0015PK

GENERAL PURPOSE TRANSFORMER
252L
E30394

UL
LR3902
LISTED

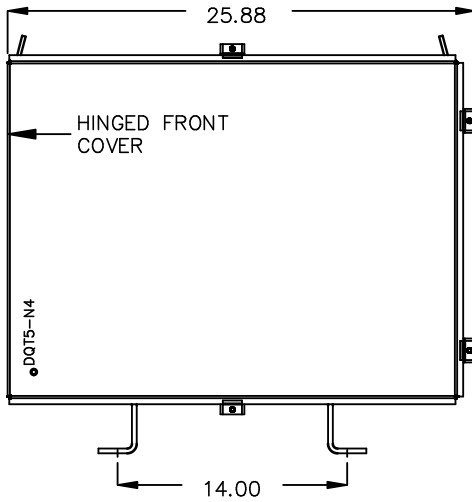
Cust. Ref. Ref. du Client	Serial No. No. de Serie		
Phase	HV/HT	600V	14.4A
Type	BIL	10 kV	
Cooling Refrondissement	ANC	H1 H2 H3	
kVA	15	480Y/277V	18.0A
Temp. Rise Echauffement	135 °C	10 kV	
Temp Class Classe Temp	220 °C	Term Bornes	X0 X1 X2 X3
Winding Enroulement	AL		
Frequency Frequence Hz	60		
Impedance % @ 155 °C	2.5		
Encl. Type Type De Coffrage	4		
Weight Poids	lbs/kg	342/156	

VOLTS	CURRENT COURANT	% RATED VOLTAGE % TENSION NOMINALE	CONNECTION EACH PHASE CONNECTION PAR PHASE
630	13.7	105	1
615	14.1	102.5	2
600	14.4	100	3
585	14.8	97.5	4
570	15.2	95	5
555	15.6	92.5	6
540	16.0	90	7

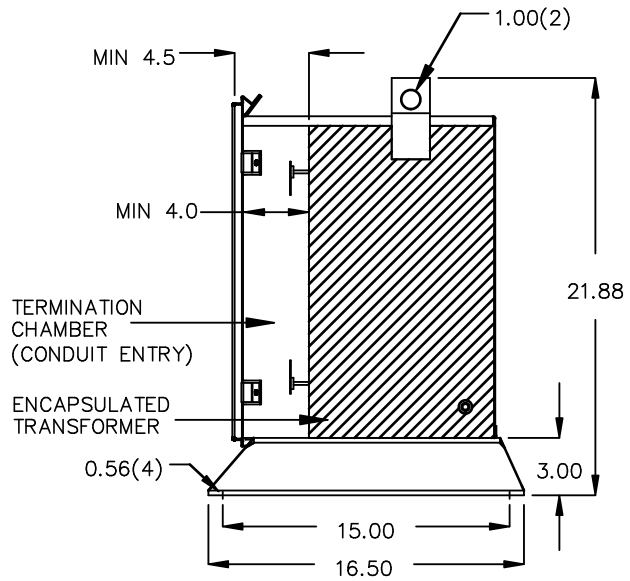
SPACINGS BETWEEN ANY VENTILATED ENCLOSURE PANEL AND ANY ADJACENT WALL SHALL BE A MINIMUM OF 3 INCHES ELECTROSTATIC SHIELD

d000200bqfc

FRONT VIEW



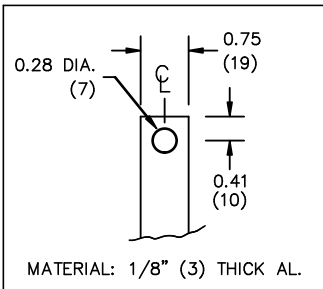
SIDE VIEW



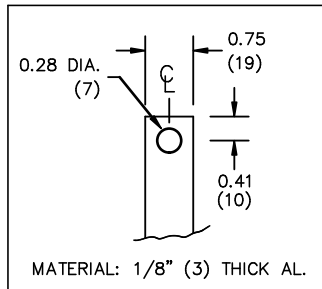
All Dimensions in inches

ENCLOSURE COLOR : ANSI 61 GREY – OUTDOOR

HV TERMINAL DETAIL



LV TERMINAL DETAIL



CUSTOMER NOTES:

- HV TERMINATED AT BOTTOM FRONT
- LV TERMINATED AT TOP FRONT



TITLE: 3PH DISTRIBUTION TRANSFORMER

DES:	PPICASSI
DATE:	24/05/10
SCALE:	NTS

NO.	DATE	BY	REVISION

SHEET 2 OF 2

EDBFC2A0015PK