



TITLE: 3PH DISTRIBUTION TRANSFORMER  
NAMEPLATE INFORMATION

NO.	DATE	BY	REVISION

DES: PPI/CASSI  
DATE: 23/12/07  
SCALE: NTS

SHEET 1 OF 2

EDBFC2A0015PB

0.0 httpd 2026/04/04 23:21

THIS DRAWING CONTAINS STRICTLY CONFIDENTIAL INFORMATION BELONGING TO HAMMOND POWER SOLUTIONS AND MUST NOT BE DISTRIBUTED OUTSIDE AUTHORIZED PARTIES.

**POWER SOLUTIONS**  
Guelph, ONT Compton, CA Baraboo, WI  
Monterrey, MX

**HPS Fortress™ C**  
Dry Type Encapsulated Transformer  
Transformateur de Type Sec Encapsulé

GENERAL PURPOSE TRANSFORMER 8 03423 19936 14  
2521 E0394  
**LISTED**  
LR3902

Part No. FC2A0015PB

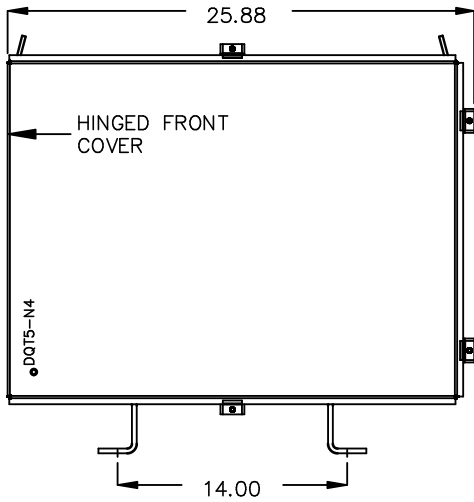
Cust. Ref. Ref. du Client	Serial No. No. de Serie	600V	14.4A		
Phase	3	HV/HT	14.4A		
Type	QT	BIL	10 kV		
Cooling Refroidissement	ANC	Term Bornes	H1 H2 H3		
kVA	15	LV/BT	208Y/120V	41.6A	
Temp. Rise Echauffement	135 °C	BIL	10 kV		
Temp Class Classe Temp	220 °C	Term Bornes	X0 X1 X2 X3		
Winding Enroulement	AL				
Frequency Frequence Hz	60				
Impedance % @ 155 °C	2.5				
Encl. Type Type De Coffrage	4				
Weight Poids	328/149				

VOLTS	CURRENT COURANT	% RATED VOLTAGE % TENSION NOMINALE	CONNECTION EACH PHASE CONNECTION PAR PHASE
630	13.7	105	1
615	14.1	102.5	2
600	14.4	100	3
585	14.8	97.5	4
570	15.2	95	5
555	15.6	92.5	6
540	16.0	90	7

SPACINGS BETWEEN ANY VENTILATED ENCLOSURE PANEL AND ANY ADJACENT WALL SHALL BE A MINIMUM OF 3 INCHES ELECTROSTATIC SHIELD

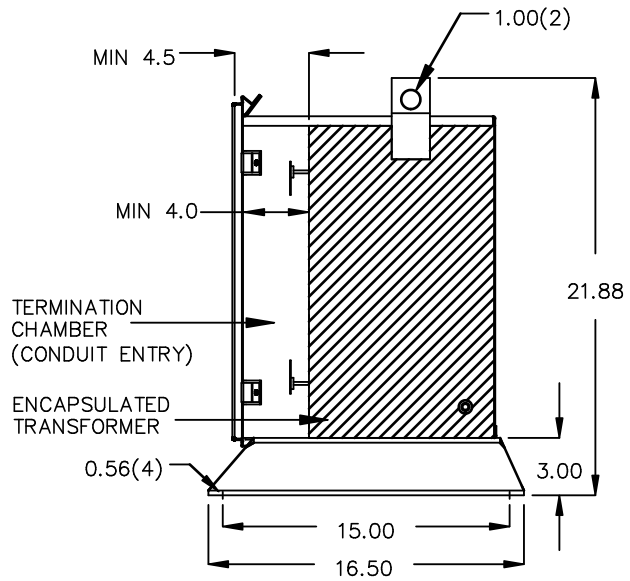
d000200bqfc

FRONT VIEW



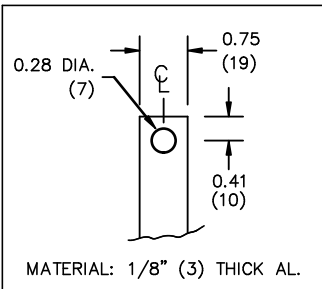
All Dimensions in inches

SIDE VIEW

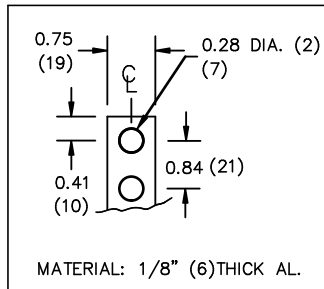


ENCLOSURE COLOR : ANSI 61 GREY – OUTDOOR

HV TERMINAL DETAIL



LV TERMINAL DETAIL



CUSTOMER NOTES:

- HV TERMINATED AT BOTTOM FRONT
- LV TERMINATED AT TOP FRONT



TITLE: 3PH DISTRIBUTION TRANSFORMER

DES:	PPICASSI
DATE:	23/12/07
SCALE:	NTS

NO.	DATE	BY	REVISION

SHEET 2 OF 2

EDBFC2A0015PB