



TITLE: 3PH DISTRIBUTION TRANSFORMER  
NAMEPLATE INFORMATION

NO.	DATE	BY	REVISION	DES: LCN
				DATE: 24/06/12
				SCALE: NTS

SHEET 1 OF 2

EDBFC2A0015DB

0.0 httpd 2026/06/25 04:23

THIS DRAWING CONTAINS STRICTLY CONFIDENTIAL INFORMATION BELONGING TO HAMMOND POWER SOLUTIONS AND MUST NOT BE DISTRIBUTED OUTSIDE AUTHORIZED PARTIES.

**hammond**  
POWER SOLUTIONS

Guelph, ONT Compton, CA Baraboo, WI Monterrey, MX

**HPS Fortress™ C**  
Dry Type Encapsulated Transformer  
Transformateur de Type Sec Encapsulé

Part No. FC2A0015DB

GENERAL PURPOSE TRANSFORMER 252L E0394  
**UL**  
LISTED LR3902

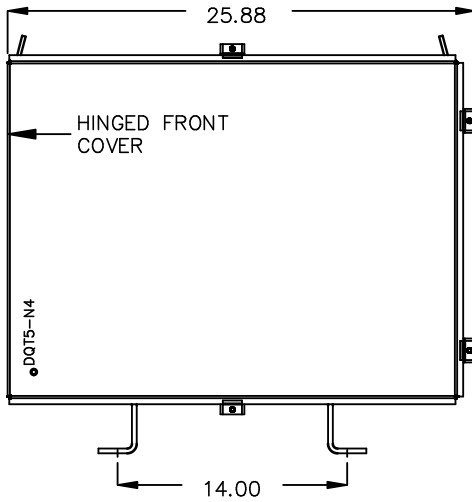
Cust. Ref. Ref. du Client	Serial No. No. de Serie		
Phase	HV/HT	240V	36.1A
Type	BIL	10 kV	
Cooling Refrondissement	ANC	H1 H2 H3	
kVA	15	208Y/120V	41.6A
Temp. Rise Echauffement	135 °C	10 kV	
Temp Class Classe Temp	220 °C	X0 X1 X2 X3	
Winding Enroulement	AL		
Frequency Frequence Hz	60		
Impedance % @ 155 °C	2.4		
Encl. Type Type De Coffrage	4		
Weight lbs/kg Poids	317/144		

VOLTS	CURRENT COURANT	% RATED % TENSION NOMINALE	CONNECTION EACH PHASE CONNECTION PAR PHASE
252	34.4	105	1
240	36.1	100	2
228	38.0	95	3

SPACINGS BETWEEN ENCLOSURE PANEL AND ANY ADJACENT WALL SHALL BE A MINIMUM OF 3 INCHES ELECTROSTATIC SHIELD

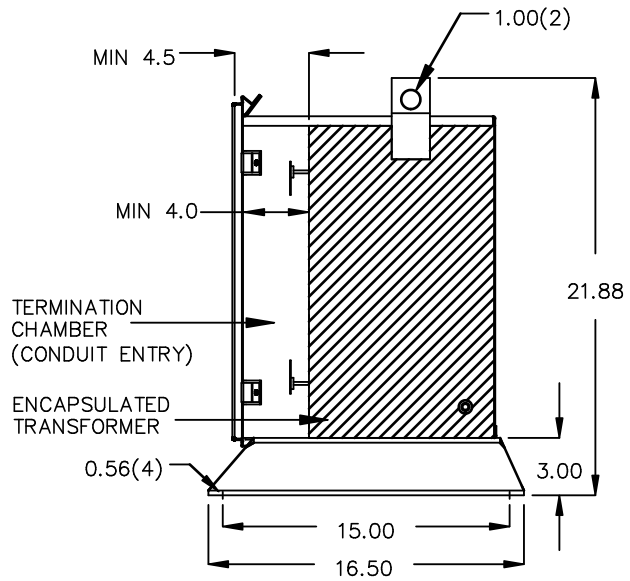
d000200bqfc

FRONT VIEW



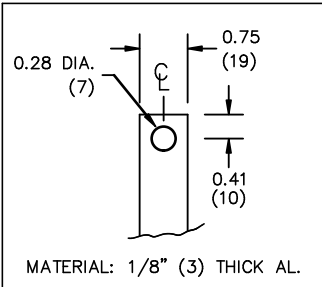
All Dimensions in inches

SIDE VIEW

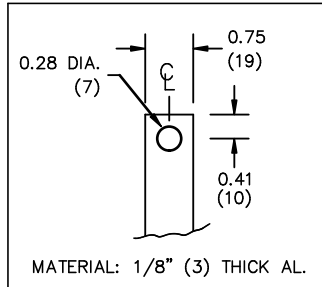


ENCLOSURE COLOR : ANSI 61 GREY – OUTDOOR

HV TERMINAL DETAIL



LV TERMINAL DETAIL



CUSTOMER NOTES:

- HV TERMINATED AT BOTTOM FRONT
- LV TERMINATED AT TOP FRONT



TITLE: 3PH DISTRIBUTION TRANSFORMER

DES:	LCEN
DATE:	24/06/12
SCALE:	NTS

NO.	DATE	BY	REVISION

SHEET 2 OF 2

EDBFC2A0015DB