



TITLE: 3PH DISTRIBUTION TRANSFORMER  
NAMEPLATE INFORMATION

NO.	DATE	BY	REVISION

DES:	AOPPER
DATE:	24/05/10
SCALE:	NTS

SHEET 1 OF 2

EDBFC2A0015BB

0.0 httpd 2026/06/25 03:06

THIS DRAWING CONTAINS STRICTLY CONFIDENTIAL INFORMATION BELONGING TO HAMMOND POWER SOLUTIONS AND MUST NOT BE DISTRIBUTED OUTSIDE AUTHORIZED PARTIES.

**POWER SOLUTIONS**  
Guelph, ONT Compton, CA Baraboo, WI  
Monterrey, MX

**HPS Fortress™ C**  
Dry Type Encapsulated Transformer  
Transformateur de Type Sec Encapsulé

GENERAL PURPOSE TRANSFORMER  
252L  
E30394  
**LISTED**

Part No. FC2A0015BB

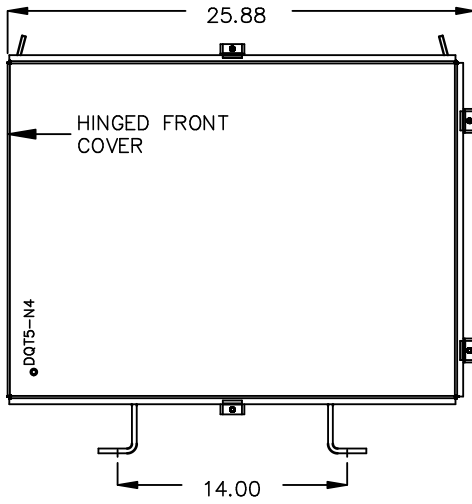
Cust. Ref. Ref. du Client	Serial No. No. de Serie	HV/HT	208V	41.6A
Phase	3			
Type	QT	BIL	10 kV	
Cooling Refroidissement	ANC	Term Bornes	H1 H2 H3	
kVA	15	LV/BT	208Y/120V	41.6A
Temp. Rise Echauffement	135 °C	BIL	10 kV	
Temp Class Classe Temp	220 °C	Term Bornes	X0 X1 X2 X3	
Winding Enroulement	AL			
Frequency Frequence Hz	60			
Impedance % @ 155 °C	2.3			
Encl. Type Type De Coffrage	4			
Weight Poids	lbs/kg	350/159		

VOLTS	CURRENT COURANT	% RATED VOLTAGE % TENSION NOMINALE	CONNECTION EACH PHASE CONNECTION PAR PHASE
218	39.7	105	1
213	40.6	102.5	2
208	41.6	100	3
203	42.7	97.5	4
198	43.8	95	5
192	45.0	92.5	6
187	46.3	90	7

SPACINGS BETWEEN ANY VENTILATED ENCLOSURE PANEL AND ANY ADJACENT WALL SHALL BE A MINIMUM OF 3 INCHES ELECTROSTATIC SHIELD

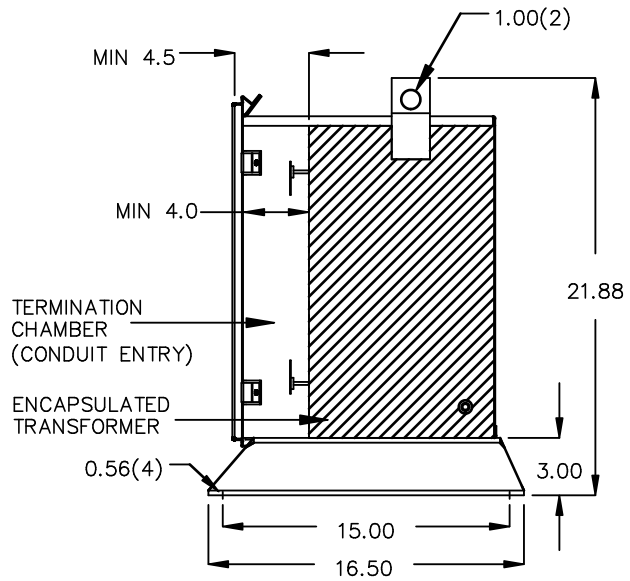
d000200bqfc

FRONT VIEW



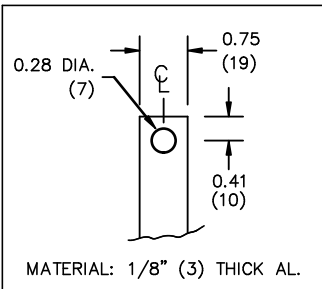
All Dimensions in inches

SIDE VIEW

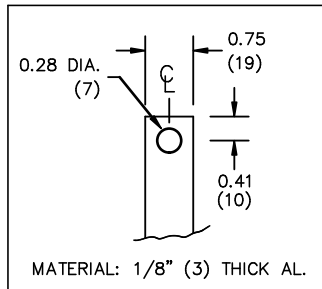


ENCLOSURE COLOR : ANSI 61 GREY – OUTDOOR

HV TERMINAL DETAIL



LV TERMINAL DETAIL



CUSTOMER NOTES:

- HV TERMINATED AT BOTTOM FRONT
- LV TERMINATED AT TOP FRONT



TITLE: 3PH DISTRIBUTION TRANSFORMER

DES:	AOPPER
DATE:	24/05/10
SCALE:	NTS

NO.	DATE	BY	REVISION

SHEET 2 OF 2

EDBFC2A0015BB