



TITLE: 3PH DISTRIBUTION TRANSFORMER
NAMEPLATE INFORMATION

NO.	DATE	BY	REVISION


DES:	RHARISH
DATE:	24/05/05
SCALE:	NTS

SHEET 1 OF 2

EDBFC2A0009PK

0.0 httpd 2026/06/03 09:43


THIS DRAWING CONTAINS STRICTLY CONFIDENTIAL INFORMATION BELONGING TO HAMMOND POWER SOLUTIONS AND MUST NOT BE DISTRIBUTED OUTSIDE AUTHORIZED PARTIES.





POWER SOLUTIONS
Guelph, ONT Baraboo, WI
Compton, CA Monterrey, MX

HPS Fortress™ C
Dry Type Encapsulated Transformer
Transformateur de Type Sec Encapsulé

Part No. FC2A0009PK


 LISTED
 LR3902


 GENERAL PURPOSE TRANSFORMER
 2521 E30394



8 03423 22058 7

Serial No. []
No. de Serie []

Cust. Ref. []
Ref. du Client []

Phase [] HV/HT [] 600V 8.7A

Type [] BIL [] 10 kV

Cooling [] ANC [] H1 H2 H3

kVA [] 9 [] LV/BT 480Y/277V 10.8A

Temp. Rise [] 135 °C [] BIL [] 10 kV

Echauffement [] 220 °C [] Term [] X0 X1 X2 X3

Classe Temp [] AL [] Winding []

Enroulement [] Frequency [] 60 []

Impedance % [] 3.1 []

Encl. Type [] 4 []

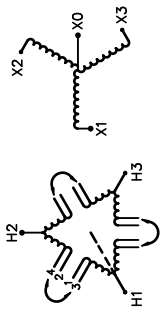
Type De Coffrage []

Weight [] 205/93 []

Poids []

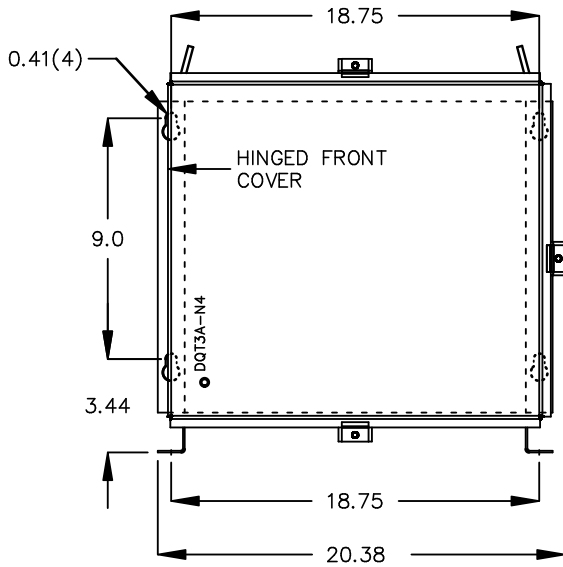
VOLTS	CURRENT COURANT	% RATED % TENSION NOMINALE	CONNECTION EACH PHASE CONNECTION PAR PHASE
630	8.2	105	1-2
600	8.7	100	2-3
570	9.1	95	3-4

SPACINGS BETWEEN ANY VENTILATED ENCLOSURE PANEL AND ANY ADJACENT WALL SHALL BE A MINIMUM OF 1 INCHES ELECTROSTATIC SHIELD



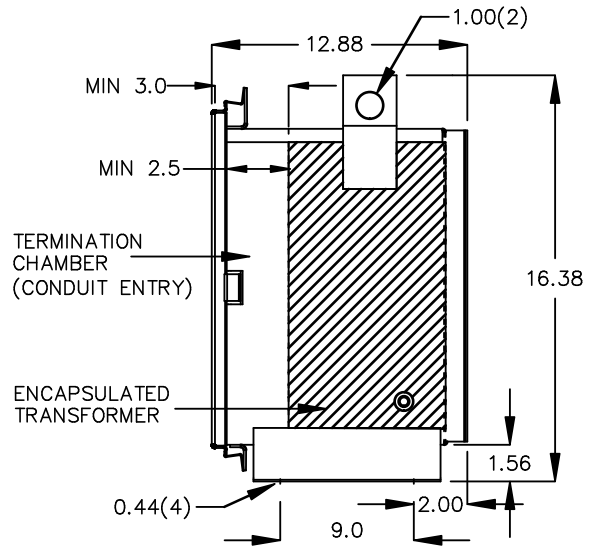
d000200bqfc

FRONT VIEW



All Dimensions in inches

SIDE VIEW



ENCLOSURE COLOR : ANSI 61 GREY – OUTDOOR

HV TERMINAL DETAIL

LV TERMINAL DETAIL

#14 AWG STRANDED COPPER
WIRE LEADS

#14 AWG STRANDED COPPER
WIRE LEADS

CUSTOMER NOTES:

- HV TERMINATED AT BOTTOM FRONT
- LV TERMINATED AT TOP FRONT



TITLE: 3PH DISTRIBUTION TRANSFORMER

				DES: RHARISH
				DATE: 24/05/05
NO.	DATE	BY	REVISION	SCALE: NTS

SHEET 2 OF 2

EDBFC2A0009PK