



TITLE: 3PH FORTRESS C TRANSFORMER
NAMEPLATE INFORMATION

NO.	DATE	BY	REVISION

DES: PPLICASSI
DATE: 23/12/07
SCALE: NTS

SHEET 1 OF 2

EDBFC2A0009PB


0.0 httpd 2026/06/25 01:01


hammond
POWER SOLUTIONS


Guelph, ONT Compton, CA Baraboo, WI Monterrey, MX

HPS Fortress™ C
Dry Type Encapsulated Transformer
Transformateur de Type Sec Encapsulé

Part No. FC2A0009PB


 LISTED
 LR3902


 GENERAL PURPOSE TRANSFORMER 2521 E30394

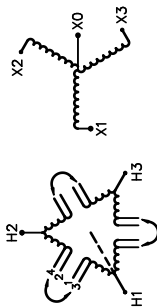


8 03423 19933 13

Cust. Ref. Ref. du Client	Serial No. No. de Serie	HV/HT	600V	8.7A
Phase	3	BIL	10 kV	
Type	QT	Term Bornes	H1 H2 H3	
Cooling Refrondissement	ANC	LV/BT	208Y/120V	25.0A
kVA	9	BIL	10 kV	
Temp. Rise Echauffement	135 °C	Term Bornes	X0 X1 X2 X3	
Temp Class Classe Temp	220 °C	Winding Enroulement		
Frequency Frequence Hz	60			
Impedance % @ 155 °C	2.9			
Encl. Type Type De Coffrage	4			
Weight Poids lbs/kg	204/93			

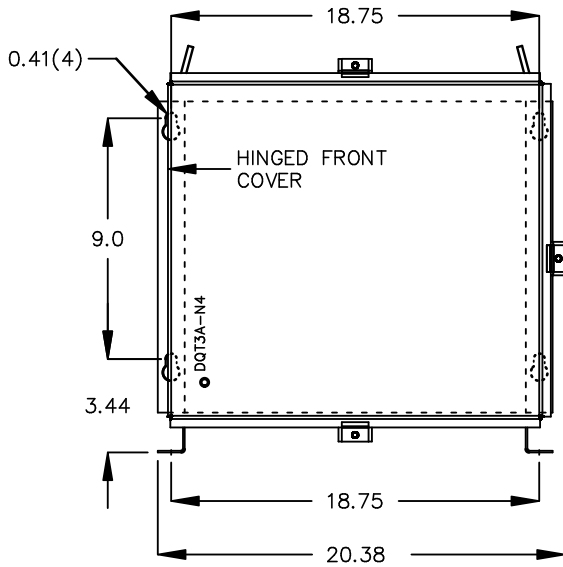
VOLTS	CURRENT COURANT	% RATED % TENSION NOMINALE	CONNECTION EACH PHASE CONNECTION PAR PHASE
630 600 570	8.7 8.1 9.1	105 100 95	1-2 2-3 3-4

SPACINGS BETWEEN ANY VENTILATED ENCLOSURE PANEL AND ANY ADJACENT WALL SHALL BE A MINIMUM OF 1 INCHES ELECTROSTATIC SHIELD



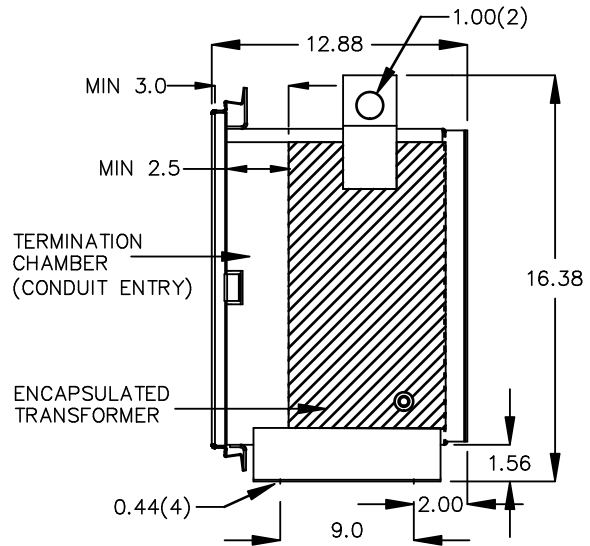
d000200bqfc

FRONT VIEW



All Dimensions in inches

SIDE VIEW



ENCLOSURE COLOR : ANSI 61 GREY – OUTDOOR

HV TERMINAL DETAIL

LV TERMINAL DETAIL

#14 AWG STRANDED COPPER
WIRE LEADS

#12 AWG STRANDED COPPER
WIRE LEADS

CUSTOMER NOTES:

- HV TERMINATED AT BOTTOM FRONT
- LV TERMINATED AT TOP FRONT



TITLE: 3PH FORTRESS C TRANSFORMER

				DES: PPICASSI
				DATE: 23/12/07
NO.	DATE	BY	REVISION	SCALE: NTS

SHEET 2 OF 2

EDBFC2A0009PB

0.0 httpd 2026/06/25 01:01

THIS DRAWING CONTAINS STRICTLY CONFIDENTIAL INFORMATION BELONGING TO HAMMOND POWER SOLUTIONS AND MUST NOT BE DISTRIBUTED OUTSIDE AUTHORIZED PARTIES.