



TITLE: 3PH FORTRESS C TRANSFORMER
NAMEPLATE INFORMATION

NO.	DATE	BY	REVISION


DES:	PPICASSI
DATE:	23/12/07
SCALE:	NTS

SHEET 1 OF 2

EDBFCC2A0009KD

0.0 httpd 2026/06/03 17:17


THIS DRAWING CONTAINS STRICTLY CONFIDENTIAL INFORMATION BELONGING TO HAMMOND POWER SOLUTIONS AND MUST NOT BE DISTRIBUTED OUTSIDE AUTHORIZED PARTIES.




POWER SOLUTIONS
Guelph, ONT Baraboo, WI
Compton, CA Monterrey, MX

HPS Fortress™ C
Dry Type Encapsulated Transformer
Transformateur de Type Sec Encapsulé


Part No. FC2A0009KD



GENERAL PURPOSE TRANSFORMER 2521 E30394



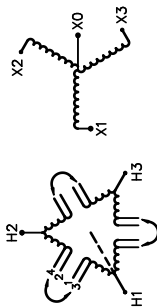
LISTED LR3902



8 03423 19932 16

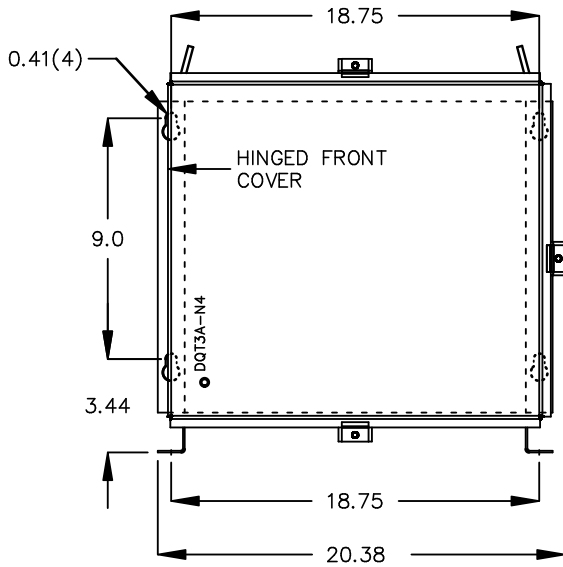
Cust. Ref. Ref. du Client	Serial No. No. de Serie	VOLTS	CURRENT COURANT	% RATED VOLTAGE % TENSION NOMINALE	CONNECTION EACH PHASE CONNECTION PAR PHASE
3	HV/HT	480V	10.3 10.8 11.4	105 100 95	1-2 2-3 3-4
Type	BIL	10 kV			
Cooling Refrondissement	Term Bornes	H1 H2 H3			
kVA	LV/BT	240Y/139V			
Temp. Rise Echauffement	BIL	10 kV			
Temp Class Classe Temp	Term Bornes	X0 X1 X2 X3			
Winding Enroulement					
Frequency Frequence Hz					
Impedance % @ 155°C					
Encl. Type Type de Coffrage					
Weight Poids					

SPACINGS BETWEEN ANY VENTILATED ENCLOSURE PANEL AND ANY ADJACENT WALL SHALL BE A MINIMUM OF 1 INCHES ELECTROSTATIC SHIELD



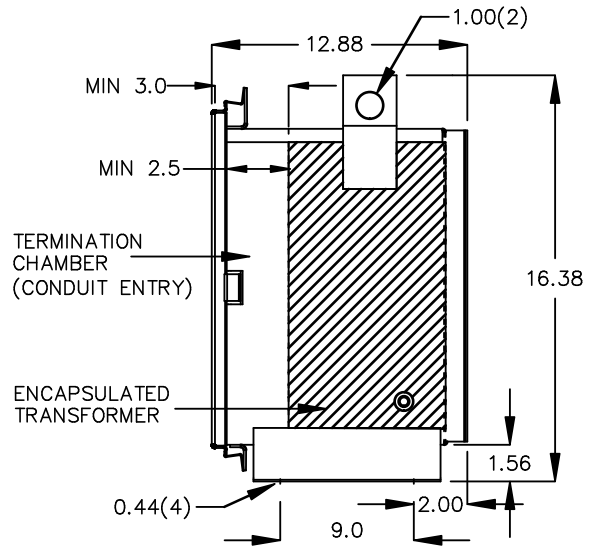
d000200bqfc

FRONT VIEW



All Dimensions in inches

SIDE VIEW



ENCLOSURE COLOR : ANSI 61 GREY – OUTDOOR

CUSTOMER NOTES:



TITLE: 3PH FORTRESS C TRANSFORMER

NO.	DATE	BY	REVISION	DES: PPICASSI
				DATE: 23/12/07
				SCALE: NTS

SHEET 2 OF 2

EDBFC2A0009KD