



TITLE: 3PH FORTRESS C TRANSFORMER  
NAMEPLATE INFORMATION

NO.	DATE	BY	REVISION	DES: PPI/CASSI
				DATE: 23/12/01
				SCALE: NTS

SHEET 1 OF 2

EDBFC2A0009KB

0.1 httpd 2026/06/03 13:00

THIS DRAWING CONTAINS STRICTLY CONFIDENTIAL INFORMATION BELONGING TO HAMMOND POWER SOLUTIONS AND MUST NOT BE DISTRIBUTED OUTSIDE AUTHORIZED PARTIES.

**POWER SOLUTIONS**  
Guelph, ONT Compton, CA Baraboo, WI  
Monterrey, MX

**HPS Fortress™ C**  
Dry Type Encapsulated Transformer  
Transformateur de Type Sec Encapsulé

GENERAL PURPOSE TRANSFORMER 2521 E0394  
8 03423 19931 1g  
**LISTED**

Part No. **FC2A0009KB**

Cust. Ref. Ref. du Client	Serial No. No. de Serie	VOLTS	CURRENT COURANT	% RATED VOLTAGE % TENSION NOMINALE	CONNECTION EACH PHASE CONNECTION PAR PHASE
3	HV/HT	504 480 456	10.3 10.8 11.4	105 100 95	1-2 2-3 3-4
Type	BIL				
Cooling Refrondissement	Term Bornes				
kVA	LV/BT				
Temp. Rise Echauffement	BIL				
Temp Class Classe Temp	Term Bornes				
Winding Enroulement					
Frequency Frequence Hz					
Impedance % @ 155°C					
Encl. Type Type de Coffrage					
Weight Poids					

480V 10.8A

10 kV

H1 H2 H3

208Y/120V 25.0A

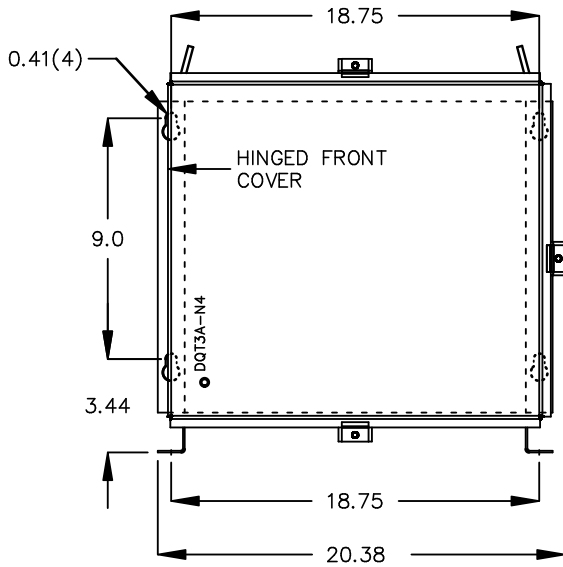
10 kV

X0 X1 X2 X3

SPACINGS BETWEEN ANY VENTILATED ENCLOSURE PANEL AND ANY ADJACENT WALL SHALL BE A MINIMUM OF 1 INCHES ELECTROSTATIC SHIELD

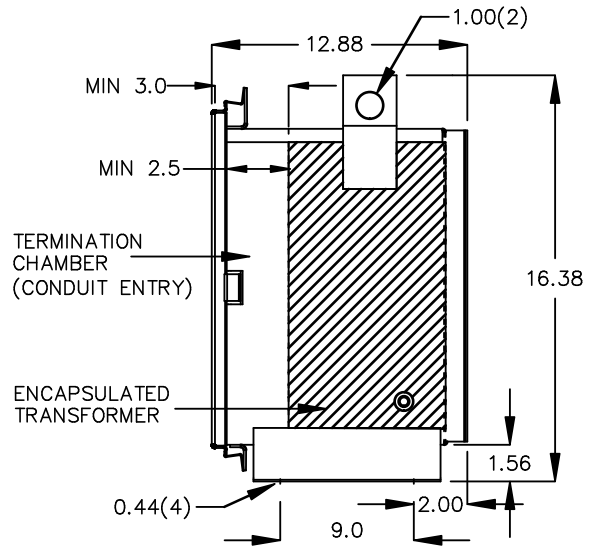
d000200bqfc

FRONT VIEW



All Dimensions in inches

SIDE VIEW



ENCLOSURE COLOR : ANSI 61 GREY – OUTDOOR

HV TERMINAL DETAIL

LV TERMINAL DETAIL

#14 AWG STRANDED COPPER  
WIRE LEADS

#12 AWG STRANDED COPPER  
WIRE LEADS

CUSTOMER NOTES:



TITLE: 3PH FORTRESS C TRANSFORMER

				DES: PPICASSI
				DATE: 23/12/01
NO.	DATE	BY	REVISION	SCALE: NTS

SHEET 2 OF 2

EDBFC2A0009KB