



TITLE: 3PH DISTRIBUTION TRANSFORMER
NAMEPLATE INFORMATION

NO.	DATE	BY	REVISION


DES:	LCEN
DATE:	24/06/05
SCALE:	NTS

SHEET 1 OF 2

EDBFC2A0009DK

0.0 httpd 2026/06/25 01:03

THIS DRAWING CONTAINS STRICTLY CONFIDENTIAL INFORMATION BELONGING TO HAMMOND POWER SOLUTIONS AND MUST NOT BE DISTRIBUTED OUTSIDE AUTHORIZED PARTIES.




hammond
POWER SOLUTIONS


Guelph, ONT Compton, CA Baraboo, WI Monterrey, MX

HPS Fortress™ C
Dry Type Encapsulated Transformer
Transformateur de Type Sec Encapsulé

Part No. FC2A0009DK




UL
LISTED



LR3902

GENERAL PURPOSE TRANSFORMER 252L E30394

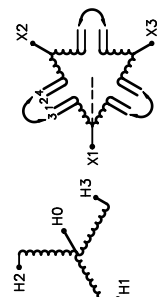
8 03423 20649 ig



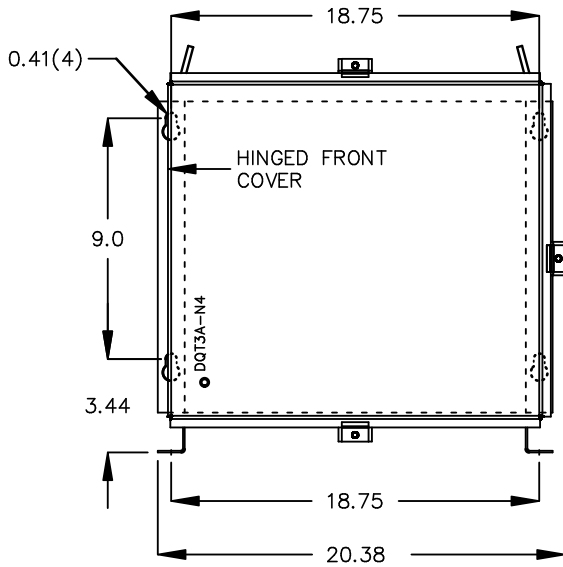
d000200bqfc

Cust. Ref. Ref. du Client	Serial No. No. de Serie	480Y/277V	10.8A	VOLTS	CURRENT COURANT	% RATED VOLTAGE % TENSION NOMINALE	CONNECTION EACH PHASE CONNECTION PAR PHASE
3	HV/HT	10 kV	10.8A	252 246 228	20.6 21.7 22.8	105 100 95	1-2 2-3 3-4
Type	BIL	Term Bornes	H0 H1 H2 H3				
Cooling Refrondissement	ANC	LV/BT	240V				
kVA	9	BIL	10 kV				
Temp. Rise Echauffement	135 °C	Term Bornes	X1 X2 X3				
Temp Class Classe Temp	220 °C	Winding Enroulement					
Frequency Hz	60	Frequency Hz					
Impedance % @ 155 °C	2.8	Encl. Type Type De Coffrage					
Weight Poids	208/95						

SPACINGS BETWEEN ENCLOSURE PANEL AND ANY ADJACENT WALL SHALL BE A MINIMUM OF 1 INCHES
ELECTROSTATIC SHIELD
TRANSFORMER SUITABLE FOR STEP UP OPERATION ONLY

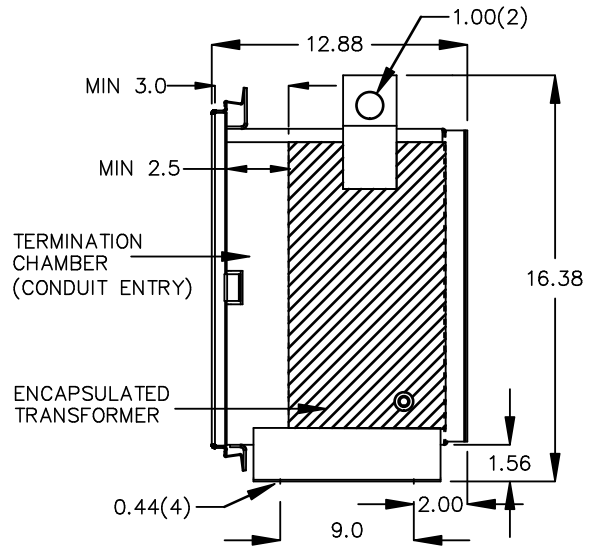


FRONT VIEW



All Dimensions in inches

SIDE VIEW



ENCLOSURE COLOR : ANSI 61 GREY – OUTDOOR

HV TERMINAL DETAIL

LV TERMINAL DETAIL

#14 AWG STRANDED COPPER
WIRE LEADS

#12 AWG STRANDED COPPER
WIRE LEADS

CUSTOMER NOTES:

- HV TERMINATED AT BOTTOM FRONT
- LV TERMINATED AT TOP FRONT



TITLE: 3PH DISTRIBUTION TRANSFORMER

				DES: LCEN
				DATE: 24/06/05
NO.	DATE	BY	REVISION	SCALE: NTS

SHEET 2 OF 2

EDBFC2A0009DK