



TITLE: 3PH DISTRIBUTION TRANSFORMER
NAMEPLATE INFORMATION

NO.	DATE	BY	REVISION


DES:	PPICASSI
DATE:	23/12/07
SCALE:	NTS

SHEET 1 OF 2

EDBFC2A0009DB

0.0 httpd 2026/06/04 08:54


THIS DRAWING CONTAINS STRICTLY CONFIDENTIAL INFORMATION BELONGING TO HAMMOND POWER SOLUTIONS AND MUST NOT BE DISTRIBUTED OUTSIDE AUTHORIZED PARTIES.




POWER SOLUTIONS
Guelph, ONT Compton, CA Baraboo, WI
Monterrey, MX

HPS Fortress™ C
Dry Type Encapsulated Transformer
Transformateur de Type Sec Encapsulé


Part No. FC2A0009DB



GENERAL PURPOSE TRANSFORMER 252L E30394



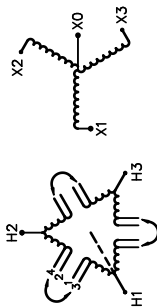
LISTED LR3902



8 03423 19930 12

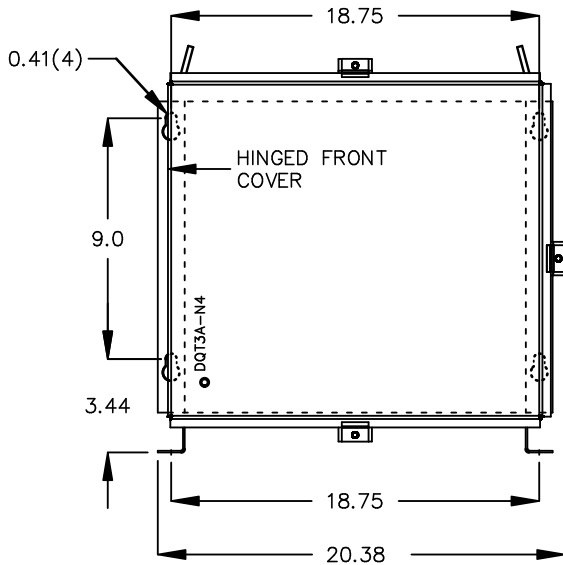
Cust. Ref. Ref. du Client	Serial No. No. de Serie	VOLTS	CURRENT COURANT	% RATED VOLTAGE % TENSION NOMINALE	CONNECTION EACH PHASE CONNECTION PAR PHASE
3	HV/HT	240V	20.6 21.7 22.8	105 100 95	1-2 2-3 3-4
Type	BIL	10 kV			
Cooling Refrondissement	Term Bornes	H1 H2 H3			
kVA	LV/BT	208Y/120V			
Temp. Rise Echauffement	BIL	10 kV			
Temp Class Classe Temp	Term Bornes	X0 X1 X2 X3			
Winding Enroulement					
Frequency Frequence Hz					
Impedance % @ 155°C					
Encl. Type Type De Coffrage					
Weight lbs/kg Poids					

SPACINGS BETWEEN ANY VENTILATED ENCLOSURE PANEL AND ANY ADJACENT WALL SHALL BE A MINIMUM OF 1 INCHES ELECTROSTATIC SHIELD



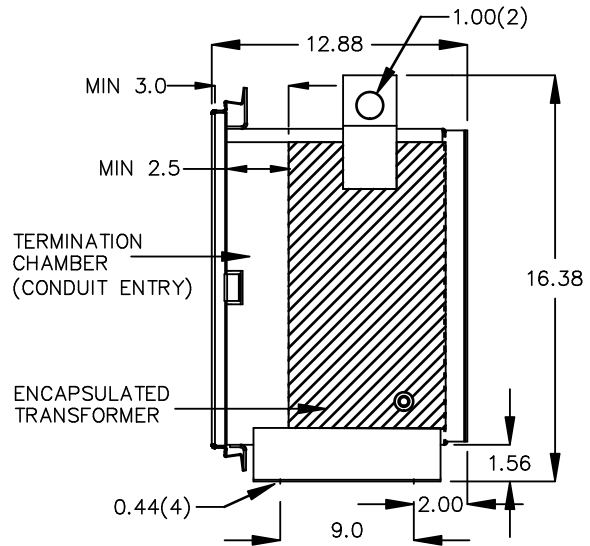
d000200bqfc

FRONT VIEW



All Dimensions in inches

SIDE VIEW



ENCLOSURE COLOR : ANSI 61 GREY – OUTDOOR

HV TERMINAL DETAIL

LV TERMINAL DETAIL

#12 AWG STRANDED COPPER
WIRE LEADS

#12 AWG STRANDED COPPER
WIRE LEADS

CUSTOMER NOTES:

- HV TERMINATED AT BOTTOM FRONT
- LV TERMINATED AT TOP FRONT



TITLE: 3PH DISTRIBUTION TRANSFORMER

SHEET 2 OF 2

EDBFC2A0009DB

				DES: PPICASSI
				DATE: 23/12/07
NO.	DATE	BY	REVISION	SCALE: NTS