




TITLE: 3PH FORTRESS C TRANSFORMER  
NAMEPLATE INFORMATION

NO.	DATE	BY	REVISION

DES:	PPICASSI
DATE:	23/12/07
SCALE:	NTS

SHEET 1 OF 2


EDBFC2A0009BK





**POWER SOLUTIONS**  
Guelph, ONT Compton, CA Baraboo, WI  
Monterrey, MX

**HPS Fortress™ C**  
Dry Type Encapsulated Transformer  
Transformateur de Type Sec Encapsulé

Part No. **FC2A0009BK**

  
 LISTED  
 LR3902

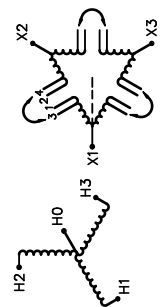
  
 GENERAL PURPOSE TRANSFORMER  
 2521 E0394



8 03423 19929 16

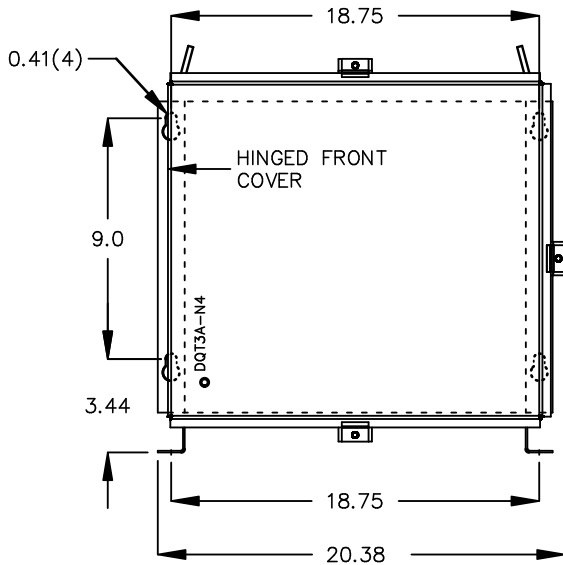
Cust. Ref. Ref. du Client	Serial No. No. de Serie	480Y/277V	10.8A	VOLTS	CURRENT COURANT	% RATED % TENSION NOMINALE	CONNECTION EACH PHASE CONNECTION PAR PHASE
3	HV/HT	10 kV	10.8A	218 208 198	23.8 25.0 26.3	105 100 95	1-2 2-3 3-4
Type	BIL	Term Bornes	LV/BT	208V	25.0A		
Cooling Refrondissement	ANC			10 kV			
kVA	9			X1 X2 X3			
Temp. Rise Echauffement	135 °C						
Temp Class Classe Temp	220 °C						
Winding Enroulement	AL						
Frequency Frequence Hz	60						
Impedance % @ 155 °C	3.1						
Encl. Type Type de Coffrage	4						
Weight Poids	196/89						

SPACINGS BETWEEN ANY VENTILATED ENCLOSURE PANEL AND ANY ADJACENT WALL SHALL BE A MINIMUM OF 1 INCHES ELECTROSTATIC SHIELD



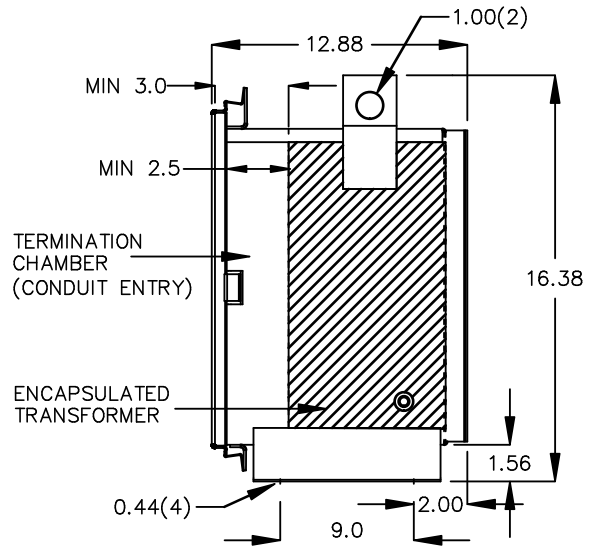
d000200bqfc

FRONT VIEW



All Dimensions in inches

SIDE VIEW



ENCLOSURE COLOR : ANSI 61 GREY – OUTDOOR

HV TERMINAL DETAIL

LV TERMINAL DETAIL

#14 AWG STRANDED COPPER  
WIRE LEADS

#12 AWG STRANDED COPPER  
WIRE LEADS

CUSTOMER NOTES:



TITLE: 3PH FORTRESS C TRANSFORMER

				DES: PPICASSI
				DATE: 23/12/07
NO.	DATE	BY	REVISION	SCALE: NTS

SHEET 2 OF 2

EDBFC2A0009BK