



TITLE: 3PH FORTRESS C TRANSFORMER
NAMEPLATE INFORMATION

| | | | |
|-----|------|----|----------|
| NO. | DATE | BY | REVISION |
| | | | |


DES: PPI/CASSI
DATE: 23/12/07
SCALE: NTS

SHEET 1 OF 2

EDBFC2A0006PB

0.0 httpd 2026/06/24 23:49


THIS DRAWING CONTAINS STRICTLY CONFIDENTIAL INFORMATION BELONGING TO HAMMOND POWER SOLUTIONS AND MUST NOT BE DISTRIBUTED OUTSIDE AUTHORIZED PARTIES.




POWER SOLUTIONS
Guelph, ONT Compton, CA Baraboo, WI
Monterrey, MX

HPS Fortress™ C
Dry Type Encapsulated Transformer
Transformateur de Type Sec Encapsulé

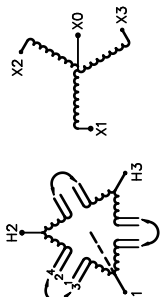
Part No. **FC2A0006PB**


 LISTED
 LR3902


 GENERAL PURPOSE TRANSFORMER 2521 E30394
 8 03423 19927 112

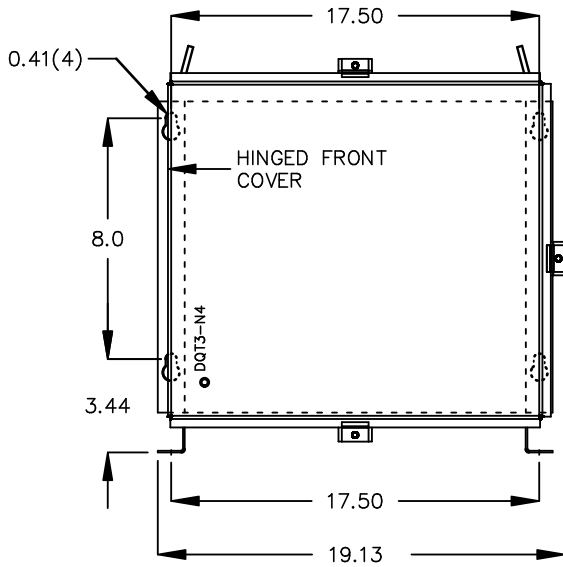
| | | | | | |
|--------------------------------|----------------------------|-------------|--------------------|---|---|
| Cust. Ref. Ref. du Client | Serial No. No. de Serie | VOLTS | CURRENT COURANT | % RATED VOLTAGE % TENSION NOMINALE | CONNECTION EACH PHASE CONNECTION PAR PHASE |
| 3 | HV/HT | 600V | 5.5 5.8 6.1 | 105 100 95 | 1-2 2-3 3-4 |
| Type | BIL | 10 kV | | | |
| Cooling Refrondissement | Term Bornes | H1 H2 H3 | | | |
| kVA | LV/BT | 208Y/120V | | | |
| Temp. Rise Echauffement | BIL | 10 kV | | | |
| Temp Class Classe Temp | Term Bornes | X0 X1 X2 X3 | | | |
| Winding Enroulement | | | | | |
| Frequency Hz | | | | | |
| Impedance % @ 155°C | | | | | |
| Encl. Type Type De Coffrage | | | | | |
| Weight Poids | | | | | |

SPACINGS BETWEEN ANY VENTILATED ENCLOSURE PANEL AND ANY ADJACENT WALL SHALL BE A MINIMUM OF 1 INCHES ELECTROSTATIC SHIELD



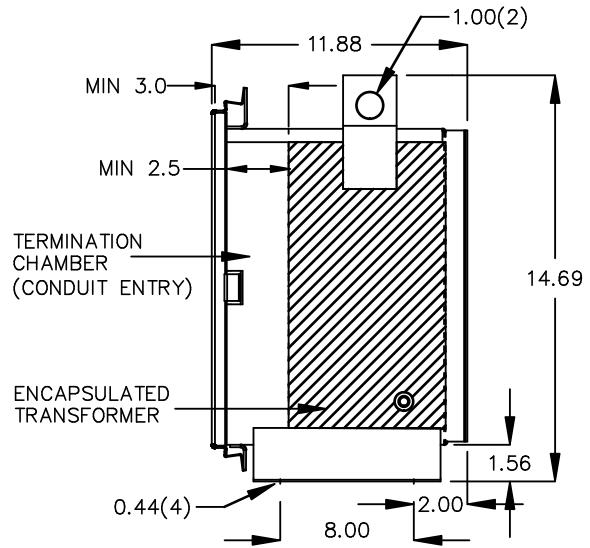
d000200bqfc

FRONT VIEW



All Dimensions in inches

SIDE VIEW



ENCLOSURE COLOR : ANSI 61 GREY – OUTDOOR

HV TERMINAL DETAIL

LV TERMINAL DETAIL

#14 AWG STRANDED COPPER
WIRE LEADS

#12 AWG STRANDED COPPER
WIRE LEADS

CUSTOMER NOTES:

- HV TERMINATED AT BOTTOM FRONT
- LV TERMINATED AT TOP FRONT



TITLE: 3PH FORTRESS C TRANSFORMER

| | | | | |
|-----|------|----|----------|----------------|
| | | | | DES: PPICASSI |
| | | | | DATE: 23/12/07 |
| NO. | DATE | BY | REVISION | SCALE: NTS |

SHEET 2 OF 2

EDBFC2A0006PB