



TITLE: 3PH FORTRESS C TRANSFORMER
NAMEPLATE INFORMATION

| | | | | |
|-----|------|----|----------|----------------|
| NO. | DATE | BY | REVISION | DES: PPICASSI |
| | | | | DATE: 23/12/01 |
| | | | | SCALE: NTS |

SHEET 1 OF 2

EDBFCC2A0006KB


0.1 httpd 2026/06/03 14:47


hammond
POWER SOLUTIONS


Guelph, ONT Compton, CA Baraboo, WI Monterrey, MX

HPS Fortress™ C
Dry Type Encapsulated Transformer
Transformateur de Type Sec Encapsulé

Part No. FC2A0006KB


 LISTED
 LR3902

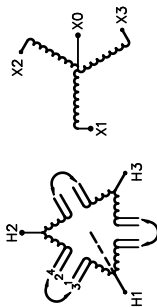

 GENERAL PURPOSE TRANSFORMER
 2521 E30394



8 03423 19925 18

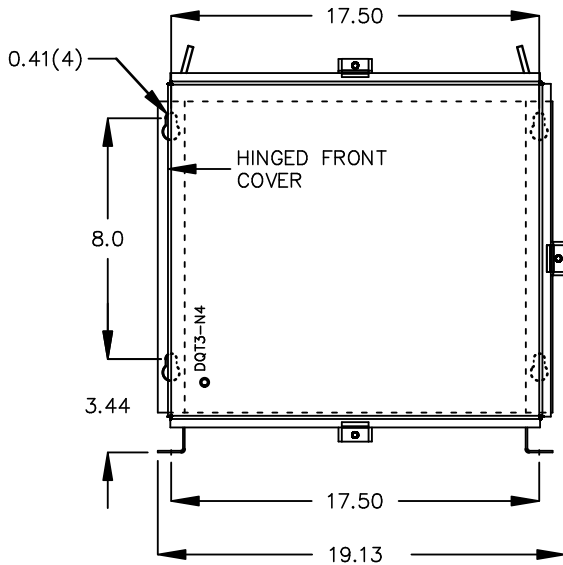
| | | | | |
|--------------------------------|----------------------------|--------------------|---------------------------------------|-----------------------------------------------|
| Cust. Ref. Ref. du Client | Serial No. No. de Serie | VOLTS | % RATED VOLTAGE % TENSION NOMINALE | CONNECTION EACH PHASE CONNECTION PAR PHASE |
| 3 | HV/HT | 504 480 456 | 105 100 95 | 1-2 2-3 3-4 |
| Phase | 7.2A | CURRENT COURANT | | |
| Type | 10 kV | 6.9 7.2 7.6 | | |
| Cooling Refrondissement | H1 H2 H3 | | | |
| kVA | 208Y/120V 16.7A | | | |
| Temp. Rise Echauffement | 10 kV | | | |
| Temp Class Classe Temp | Term Bornes | | | |
| Winding Enroulement | LV/BT | | | |
| Frequency Frequence Hz | BIL | | | |
| Impedance % @ 155°C | Term Bornes | | | |
| Encl. Type Type De Coffrage | AL | | | |
| Weight Poids | 60 | | | |
| | 4.3 | | | |
| | 4 | | | |
| | 141/64 | | | |

SPACINGS BETWEEN ANY VENTILATED ENCLOSURE PANEL AND ANY ADJACENT WALL SHALL BE A MINIMUM OF 1 INCHES ELECTROSTATIC SHIELD



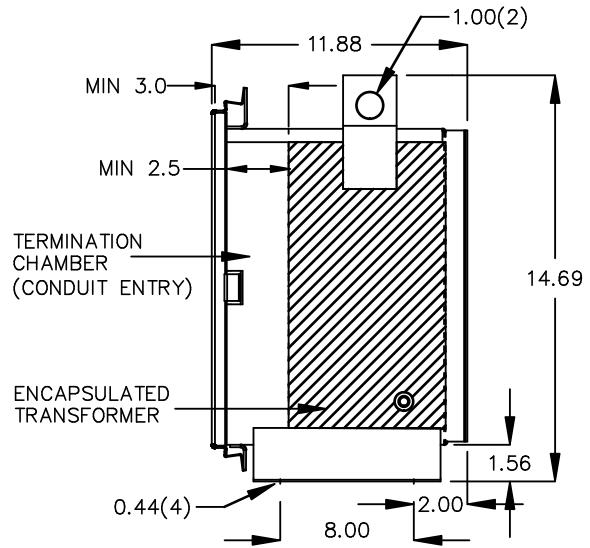
d000200bqfc

FRONT VIEW



All Dimensions in inches

SIDE VIEW



ENCLOSURE COLOR : ANSI 61 GREY – OUTDOOR

HV TERMINAL DETAIL

LV TERMINAL DETAIL

#14 AWG STRANDED COPPER
WIRE LEADS

#12 AWG STRANDED COPPER
WIRE LEADS

CUSTOMER NOTES:



TITLE: 3PH FORTRESS C TRANSFORMER

| | | | | |
|-----|------|----|----------|----------------|
| | | | | DES: PPICASSI |
| | | | | DATE: 23/12/01 |
| NO. | DATE | BY | REVISION | SCALE: NTS |

SHEET 2 OF 2

EDBFC2A00006KB

0.1 httpd 2026/06/03 14:47

THIS DRAWING CONTAINS STRICTLY CONFIDENTIAL INFORMATION BELONGING TO HAMMOND POWER SOLUTIONS AND MUST NOT BE DISTRIBUTED OUTSIDE AUTHORIZED PARTIES.