



TITLE: 3PH FORTRESS C TRANSFORMER
NAMEPLATE INFORMATION

NO.	DATE	BY	REVISION


DES:	PPICASSI
DATE:	23/12/07
SCALE:	NTS

SHEET 1 OF 2

EDBFC2A0006DK

0.0 httpd 2026/06/24 21:16


THIS DRAWING CONTAINS STRICTLY CONFIDENTIAL INFORMATION BELONGING TO HAMMOND POWER SOLUTIONS AND MUST NOT BE DISTRIBUTED OUTSIDE AUTHORIZED PARTIES.




POWER SOLUTIONS
Guelph, ONT Compton, CA Baraboo, WI
Monterrey, MX

HPS Fortress™ C
Dry Type Encapsulated Transformer
Transformateur de Type Sec Encapsulé

Part No. FC2A0006DK



UL
LISTED

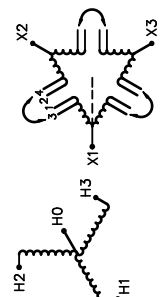


SF
LR3902

GENERAL PURPOSE TRANSFORMER 252L E0394
8 03423 19974 1

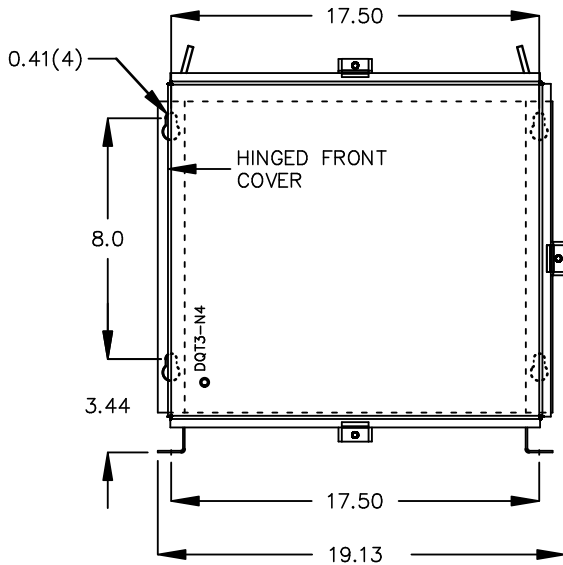
Cust. Ref. Ref. du Client	Serial No. No. de Serie	480Y/277V	7.2A	CONNECTION EACH PHASE CONNECTION PAR PHASE
Phase	3	HV/HT		1-2 2-3 3-4
Type	QT	BIL	10 kV	
Cooling Refrondissement	ANC	Term Bornes	H0 H1 H2 H3	
kVA	6	LV/BT	240V	
Temp. Rise Echauffement	135 °C	BIL	10 kV	
Temp Class Classe Temp	220 °C	Term Bornes	X1 X2 X3	
Winding Enroulement	AL			
Frequency Frequence Hz	60			
Impedance % @ 155 °C	4			
Encl. Type Type de Coffrage	4			
Weight Poids	141/64			

VOLTS	CURRENT COURANT	% RATED % TENSION NOMINALE	SPACINGS BETWEEN ANY VENTILATED ENCLOSURE PANEL AND ANY ADJACENT WALL SHALL BE A MINIMUM OF 1 INCHES ELECTROSTATIC SHIELD
252 246 228	13.7 14.4 15.2	105 100 95	



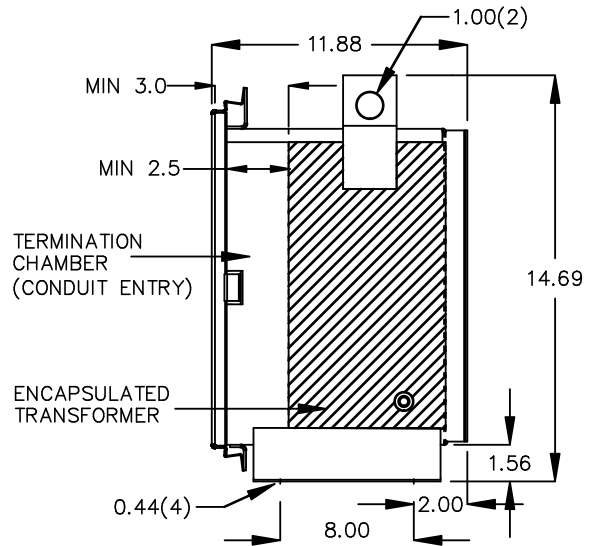
d000200bqfc

FRONT VIEW



All Dimensions in inches

SIDE VIEW



ENCLOSURE COLOR : ANSI 61 GREY – OUTDOOR

HV TERMINAL DETAIL

LV TERMINAL DETAIL

#14 AWG STRANDED COPPER
WIRE LEADS

#12 AWG STRANDED COPPER
WIRE LEADS

CUSTOMER NOTES:

- HV TERMINATED AT BOTTOM FRONT
- LV TERMINATED AT TOP FRONT



TITLE: 3PH FORTRESS C TRANSFORMER

				DES: PPLICASSI
				DATE: 23/12/07
NO.	DATE	BY	REVISION	SCALE: NTS

SHEET 2 OF 2

EDBFC2A0006DK