




TITLE: 3PH FORTRESS C TRANSFORMER
NAMEPLATE INFORMATION

NO.	DATE	BY	REVISION	DES: PPI/CASSI
				DATE: 23/12/07
				SCALE: NTS

SHEET 1 OF 2

EDBFC2A0006DB

0.0 httpd 2026/06/19 21:24




hammond
POWER SOLUTIONS


Guelph, ONT Baraboo, WI
Compton, CA Monterrey, MX

HPS Fortress™ C
Dry Type Encapsulated Transformer
Transformateur de Type Sec Encapsulé

Part No. FC2A0006DB



GENERAL PURPOSE TRANSFORMER 252L E0394
LISTED



8 03423 19923 4

Cust. Ref. Ref. du Client	Serial No. No. de Serie	VOLTS	CURRENT COURANT	% RATED VOLTAGE % TENSION NOMINALE	CONNECTION EACH PHASE CONNECTION PAR PHASE
3	HV/HT	240V	13.7	105	1-2
QT	BIL	10 kV	14.4	100	2-3
ANC	Term Bornes	H1 H2 H3	15.2	95	3-4
6	LV/BT	208Y/120V			
135 °C	BIL	10 kV			
220 °C	Term Bornes	X0 X1 X2 X3			
AL					
60					
4.3					
4					
141/64					

Temp. Rise
Echauffement

Temp Class
Classe Temp

Winding
Enroulement

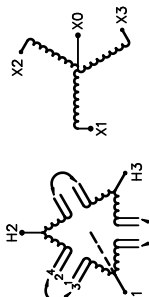
Frequency
Frequence Hz

Impedance %
@ 155 °C

Encl. Type
Type De Coffrage

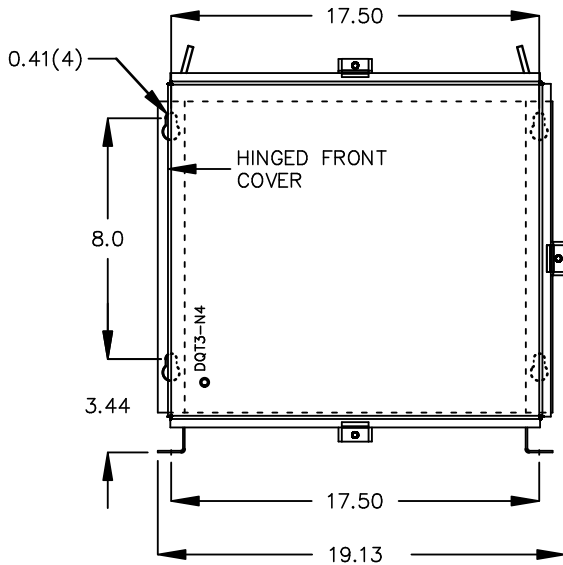
Weight
Poids lbs/kg

SPACINGS BETWEEN ANY VENTILATED ENCLOSURE PANEL AND ANY ADJACENT WALL SHALL BE A MINIMUM OF 1 INCHES ELECTROSTATIC SHIELD



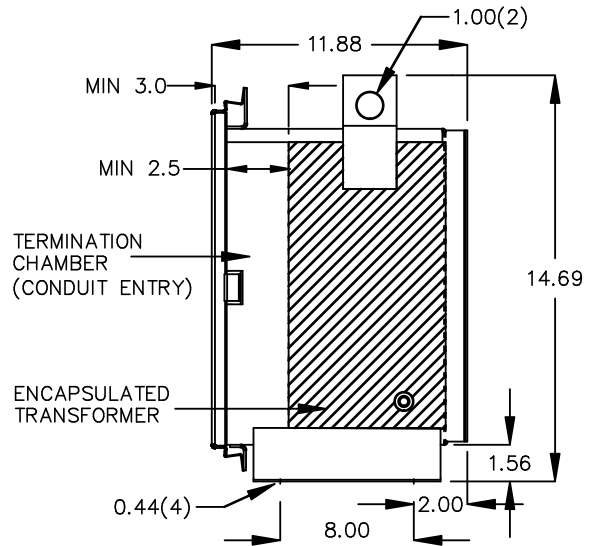
d000200bqfc

FRONT VIEW



All Dimensions in inches

SIDE VIEW



ENCLOSURE COLOR : ANSI 61 GREY – OUTDOOR

HV TERMINAL DETAIL

LV TERMINAL DETAIL

#12 AWG STRANDED COPPER
WIRE LEADS

#12 AWG STRANDED COPPER
WIRE LEADS

CUSTOMER NOTES:

- HV TERMINATED AT BOTTOM FRONT
- LV TERMINATED AT TOP FRONT



TITLE: 3PH FORTRESS C TRANSFORMER

				DES: PPICASSI
				DATE: 23/12/07
NO.	DATE	BY	REVISION	SCALE: NTS

SHEET 2 OF 2

EDBFC2A0006DB