



TITLE: 3PH FORTRESS C TRANSFORMER
NAMEPLATE INFORMATION


NO.	DATE	BY	REVISION	DES: PPI/CASSI
				DATE: 23/12/07
				SCALE: NTS

SHEET 1 OF 2

EDBFC2A0006BK

0.0 httpd 2026/04/04 18:57


THIS DRAWING CONTAINS STRICTLY CONFIDENTIAL INFORMATION BELONGING TO HAMMOND POWER SOLUTIONS AND MUST NOT BE DISTRIBUTED OUTSIDE AUTHORIZED PARTIES.





POWER SOLUTIONS
Guelph, ONT Compton, CA Baraboo, WI
Monterrey, MX

HPS Fortress™ C
Dry Type Encapsulated Transformer
Transformateur de Type Sec Encapsulé

Part No. FC2A0006BK


 LISTED
 LR3902


 GENERAL PURPOSE TRANSFORMER 2521 E0394

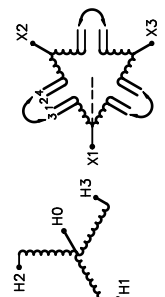


8 03423 19922 7

Cust. Ref. Ref. du Client	Serial No. No. de Serie	480Y/277V 7.2A	
Phase	HV/HT	10 kV	
Type	BIL	H0 H1 H2 H3	
Cooling Refrondissement	ANC	208V 16.7A	
kVA	6	10 kV	
Temp. Rise Echauffement	135 °C	X1 X2 X3	
Temp Class Classe Temp	220 °C		
Winding Enroulement	AL		
Frequency Frequence Hz	60		
Impedance % @ 155 °C	3.9		
Encl. Type Type De Coffrage	4		
Weight Poids	143/65		

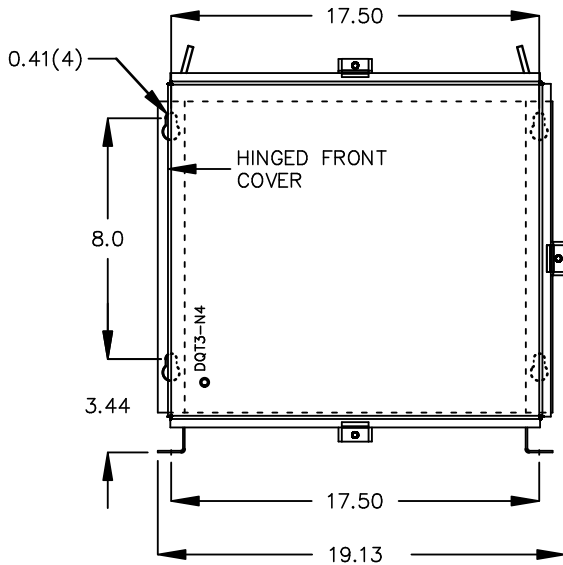
VOLTS	CURRENT COURANT	% RATED % TENSION NOMINALE	CONNECTION EACH PHASE CONNECTION PAR PHASE
218	15.9	105	1-2
208	16.7	100	2-3
198	17.5	95	3-4

SPACINGS BETWEEN ANY VENTILATED ENCLOSURE PANEL AND ANY ADJACENT WALL SHALL BE A MINIMUM OF 1 INCHES ELECTROSTATIC SHIELD



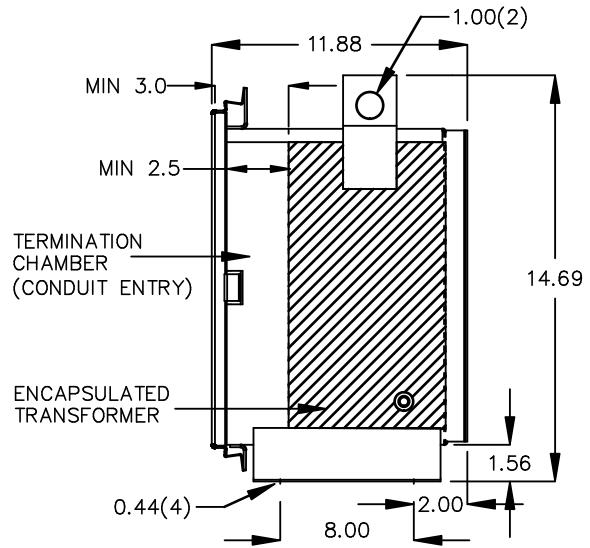
d000200bqfc

FRONT VIEW



All Dimensions in inches

SIDE VIEW



ENCLOSURE COLOR : ANSI 61 GREY – OUTDOOR

HV TERMINAL DETAIL

LV TERMINAL DETAIL

#14 AWG STRANDED COPPER
WIRE LEADS

#14 AWG STRANDED COPPER
WIRE LEADS

CUSTOMER NOTES:



TITLE: 3PH FORTRESS C TRANSFORMER

				DES: PPICASSI
				DATE: 23/12/07
NO.	DATE	BY	REVISION	SCALE: NTS

SHEET 2 OF 2

EDBFC2A0006BK