



TITLE: 3PH DISTRIBUTION TRANSFORMER
NAMEPLATE INFORMATION

NO.	DATE	BY	REVISION

DES:	AOPPER
DATE:	24/05/31
SCALE:	NTS

SHEET 1 OF 2

EDBFC2A0006BB

0.0 httpd 2026/06/03 18:43

THIS DRAWING CONTAINS STRICTLY CONFIDENTIAL INFORMATION BELONGING TO HAMMOND POWER SOLUTIONS AND MUST NOT BE DISTRIBUTED OUTSIDE AUTHORIZED PARTIES.

POWER SOLUTIONS
Guelph, ONT Compton, CA Baraboo, WI
Monterrey, MX

HPS Fortress™ C
Dry Type Encapsulated Transformer
Transformateur de Type Sec Encapsulé

GENERAL PURPOSE TRANSFORMER
252L
E30394
LISTED

Part No. **FC2A0006BB**

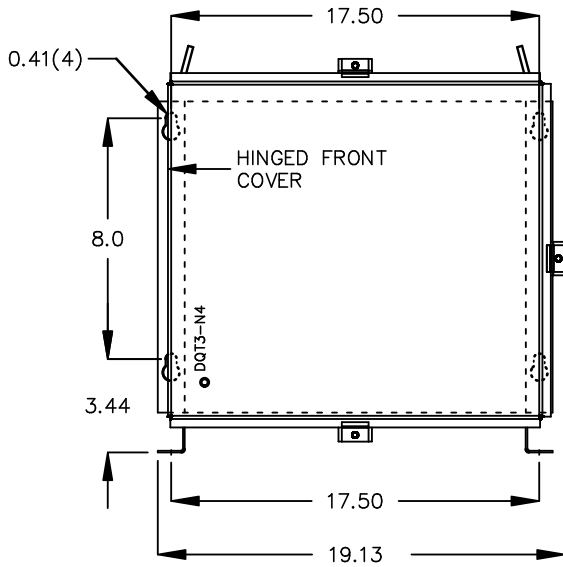
Cust. Ref. Ref. du Client	Serial No. No. de Serie	HV/HT	208V	16.7A
Phase	3	BIL	10 kV	
Type	QT	Term Bornes	H1 H2 H3	
Cooling Refroidissement	ANC	LV/BT	208Y/120V	16.7A
kVA	6	BIL	10 kV	
Temp. Rise Echauffement	135 °C	Term Bornes	X0 X1 X2 X3	
Temp Class Classe Temp	220 °C	Winding Enroulement		
Frequency Frequence Hz	60			
Impedance % @ 155 °C	4.2			
Encl. Type Type De Coffrage	4			
Weight Poids	155/71			

VOLTS	CURRENT COURANT	% RATED VOLTAGE % TENSION NOMINALE	CONNECTION EACH PHASE CONNECTION PAR PHASE
218 208 198	15.9 16.7 17.5	105 100 95	1-2 2-3 3-4

SPACINGS BETWEEN ANY VENTILATED ENCLOSURE PANEL AND ANY ADJACENT WALL SHALL BE A MINIMUM OF 1 INCHES ELECTROSTATIC SHIELD

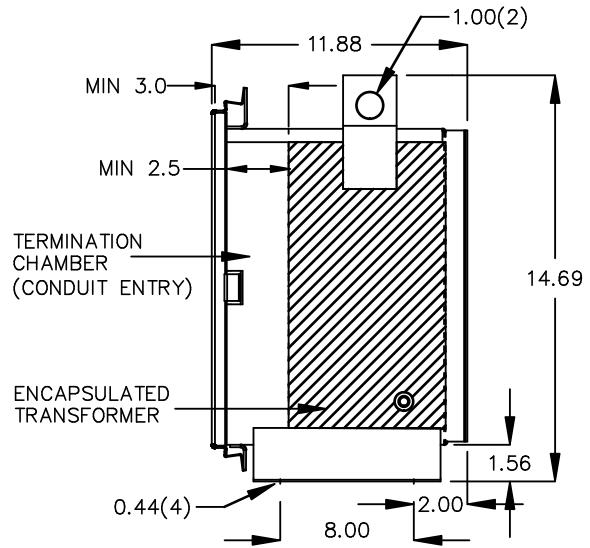
d000200bqfc

FRONT VIEW



All Dimensions in inches

SIDE VIEW



ENCLOSURE COLOR : ANSI 61 GREY – OUTDOOR

HV TERMINAL DETAIL

LV TERMINAL DETAIL

#12 AWG STRANDED COPPER
WIRE LEADS

#12 AWG STRANDED COPPER
WIRE LEADS

CUSTOMER NOTES:

- HV TERMINATED AT BOTTOM FRONT
- LV TERMINATED AT TOP FRONT



TITLE: 3PH DISTRIBUTION TRANSFORMER

				DES: AOPPER
				DATE: 24/05/31
NO.	DATE	BY	REVISION	SCALE: NTS

SHEET 2 OF 2

EDBFC2A0006BB