



® LR 3902

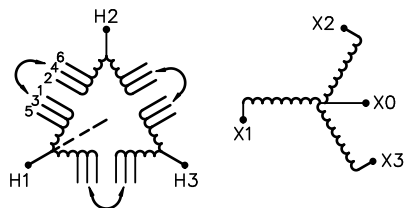
UL DRY TYPE TRANSFORMER 774J5 E112313

LISTED

GUELPH, ONT. BARABOO, WI COMPTON, CA MONTERREY, MX

THREE PHASE DRY TYPE DRIVE ISOLATION TRANSFORMER  
TRANSFORMATEUR TRIPHASE POUR VARIATEUR DE VITESSE DE MOTEURS

HV/HT	460V				Cust. Ref. Réf. du client	
BIL	-				Serial No. No. de série	
TERM. BORNES	H1 H2 H3				Part No. No. de pièce	DM660JC
	VOLTS	CURRENT COURANT	% RATED VOLTAGE % TENSION NOMINALE	CONNECTION EACH PHASE CONNEXION PAR PHASE	kVA	660
	483	789	105	1-2	TYPE	K
	472	808	102.5	2-3	Cooling Refroidissement	ANN
	460	828	100	3-4	Temp. Rise Echauffement	150 °C
	448	850	97.5	4-5	Temp. Class Classe de Temp.	220 °C
	437	872	95	5-6	Frequency Fréquence	60 Hz
LV/BT	230Y/133V				Impédance % @ 170 °C	6.4
BIL	-				Encl. Type Type de boîtier	NEMA-3R
TERM. BORNES	X0 X1 X2 X3				Wt Poids	3200 lbs
					Winding Enroulement	AL



SPACINGS BETWEEN ENCLOSURE AND ANY ADJACENT WALL SHALL BE A MINIMUM OF 8.25 INCHES

d003102b



TITLE: 3PH DRIVE TRANSFORMER  
NAMEPLATE INFORMATION

2	21/07/16	PP	EDB UPDATE	DES: VGAGAC
1	09/02/20	GP	HCN: 29041	DATE: 00/07/27
NO.	DATE	BY	REVISION	SCALE: NTS

SHEET 1 OF 2

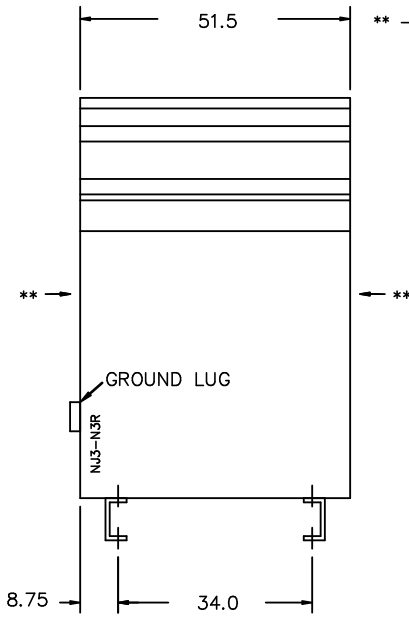
EDBDM660JC

THIS DRAWING CONTAINS STRICTLY CONFIDENTIAL INFORMATION BELONGING TO HAMMOND POWER SOLUTIONS AND MUST NOT BE DISTRIBUTED OUTSIDE AUTHORIZED PARTIES.

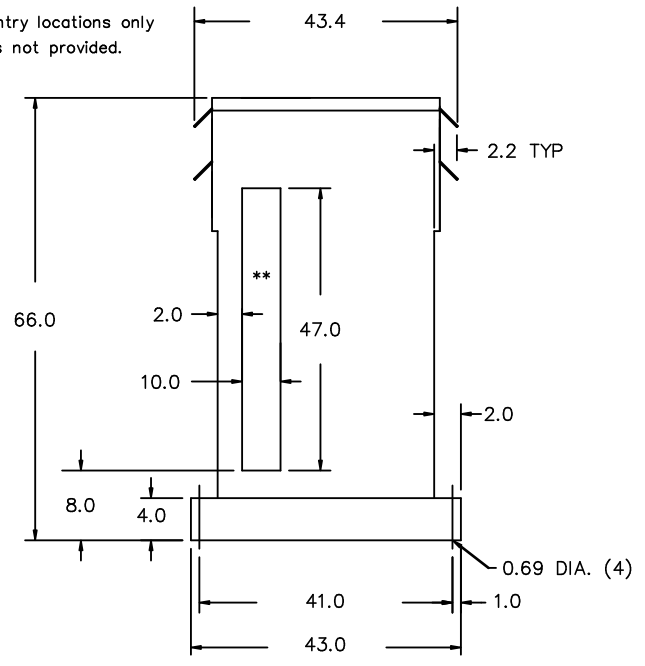
2.0 httpd 2026/04/04 21:44

FRONT VIEW

SIDE VIEW



\*\* - Recommended cable entry locations only cutouts & gland plates not provided.

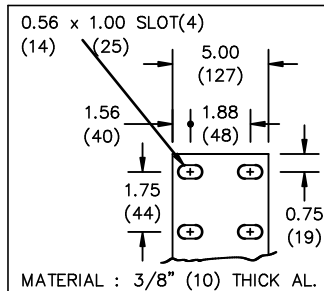
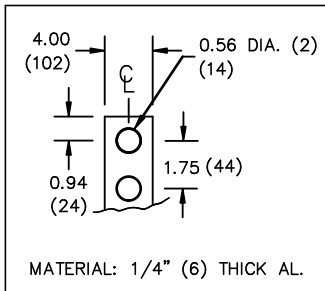


All Dimensions in inches

ENCLOSURE COLOR : ANSI 61 GREY - OUTDOOR

H.V.1. TERMINAL DETAIL

L.V.1. TERMINAL DETAIL



CUSTOMER NOTES:

- HV1 TERMINATED AT TOP FRONT
- LV1 TERMINATED AT BOTTOM FRONT
- C/W 1-"NC"- THERMOSTAT PER COIL CONNECTED TO T.B.

THIS DRAWING CONTAINS STRICTLY CONFIDENTIAL INFORMATION BELONGING TO HAMMOND POWER SOLUTIONS AND MUST NOT BE DISTRIBUTED OUTSIDE AUTHORIZED PARTIES.



TITLE: 3PH DRIVE TRANSFORMER

2	21/07/16	PP	EDB UPDATE	DES: VGAGAC
1	09/02/20	GP	HCN: 29041	DATE: 00/07/27
NO.	DATE	BY	REVISION	SCALE: NTS

SHEET 2 OF 2

EDBDM660JC

2.0 httpd 2026/04/04 21:44