



® LR 3902

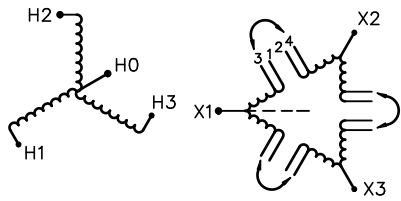
UL DRY TYPE TRANSFORMER 774J5 E112313

LISTED

GUELPH, ONT. BARABOO, WI COMPTON, CA MONTERREY, MX

THREE PHASE DRY TYPE DRIVE ISOLATION TRANSFORMER  
TRANSFORMATEUR TRIPHASE POUR VARIATEUR DE VITESSE DE MOTEURS

HV/HT	480Y/277V				Cust. Ref. Réf. du client	
BIL	-				Serial No. No. de série	
TERM. BORNES	H0 H1 H2 H3				Part No. No. de pièce	DM660BK
	VOLTS	CURRENT COURANT	% RATED VOLTAGE % TENSION NOMINALE	CONNECTION EACH PHASE CONNEXION PAR PHASE	kVA	660
	219 208 197	1736 1832 1939	105.5 100 94.5	1-2 2-3 3-4	TYPE	K
	208V				Cooling Refroidissement	ANN
LV/BT					Temp. Rise Echauffement	150 °C
BIL	-				Temp. Class Classe de Temp.	220 °C
TERM. BORNES	X1 X2 X3				Frequency Fréquence	60 Hz
					Impédance % @ 170 °C	5.8
					Encl. Type Type de boîtier	3R
					Wt Poids	3500 lbs
					Winding Enroulement	AL



SPACINGS BETWEEN ANY VENTILATED ENCLOSURE PANEL AND ANY ADJACENT WALL SHALL BE A MINIMUM OF 12 INCHES  
TRANSFORMER SUITABLE FOR STEP UP OPERATION ONLY

4003102b

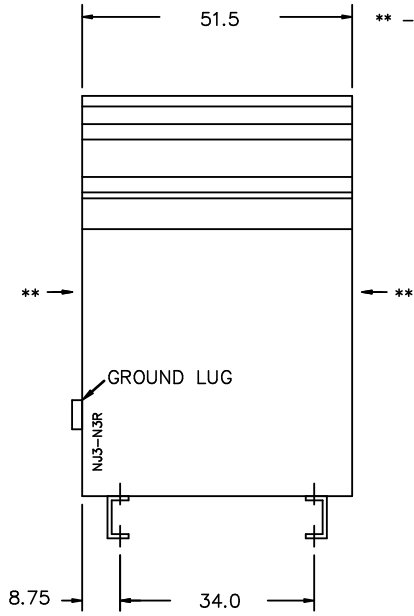


TITLE: 3PH DRIVE TRANSFORMER NAMEPLATE INFORMATION				
1	21/07/16	PP	EDB UPDATE	DES: MABDELAT
NO.	DATE	BY	REVISION	SCALE: NTS

SHEET 1 OF 2  
EJBDM660BK

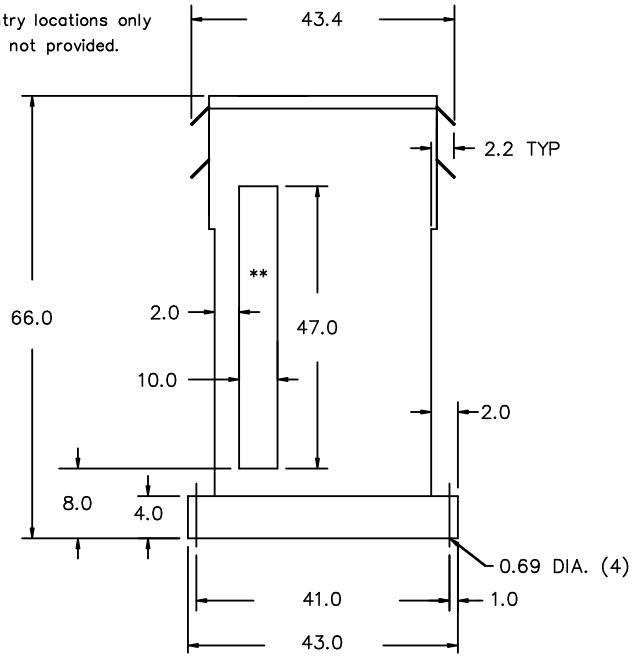
1.0 httpd 2026/04/04 22:25 THIS DRAWING CONTAINS STRICTLY CONFIDENTIAL INFORMATION BELONGING TO HAMMOND POWER SOLUTIONS AND MUST NOT BE DISTRIBUTED OUTSIDE AUTHORIZED PARTIES.

FRONT VIEW



\*\* - Recommended cable entry locations only cutouts & gland plates not provided.

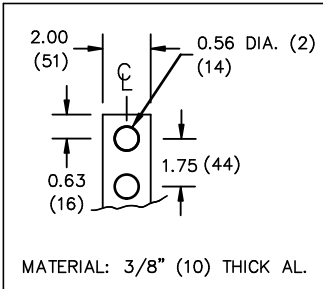
SIDE VIEW



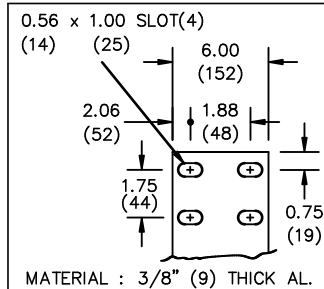
All Dimensions in inches

ENCLOSURE COLOR : ANSI 61 GREY - OUTDOOR

HV TERMINAL DETAIL



LV TERMINAL DETAIL



CUSTOMER NOTES:

- HV TERMINATED AT BOTTOM FRONT
- LV TERMINATED AT TOP FRONT
- C/W 1-"NC"- THERMOSTAT PER COIL CONNECTED TO T.B.



TITLE: 3PH DRIVE TRANSFORMER

1	21/07/16	PP	EDB UPDATE	DES: MABDELAT
NO.	DATE	BY	REVISION	SCALE: NTS

SHEET 2 OF 2

EDBDM660BK