



® LR 3902

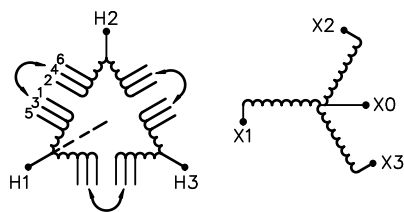
UL DRY TYPE TRANSFORMER 774US E112313

LISTED

GUELPH, ONT. BARABOO, WI COMPTON, CA MONTERREY, MX

THREE PHASE DRY TYPE DRIVE ISOLATION TRANSFORMER
TRANSFORMATEUR TRIPHASE POUR VARIATEUR DE VITESSE DE MOTEURS

HV/HT	575V				Cust. Ref. Réf. du client	
BIL	-				Serial No. No. de série	
TERM. BORNES	H1 H2 H3				Part No. No. de pièce	DM550NJ
	VOLTS	CURRENT COURANT	% RATED VOLTAGE % TENSION NOMINALE	CONNECTION EACH PHASE CONNEXION PAR PHASE	kVA	550
	604	526	105	1-2	TYPE	K
	589	539	102.5	2-3	Cooling Refroidissement	ANN
	575	552	100	3-4	Temp. Rise Echauffement	150 °C
	561	566	97.5	4-5	Temp. Class Classe de Temp.	220 °C
	546	581	95	5-6	Frequency Fréquence	60 Hz
LV/BT	460Y/266V				Impédance % @ 170 °C	6.1
BIL	-				Encl. Type Type de boîtier	3R
TERM. BORNES	X0 X1 X2 X3				Wt lbs/kg	2850/1293
					Winding Enroulement	AL



SPACINGS BETWEEN ANY VENTILATED ENCLOSURE PANEL AND ANY ADJACENT WALL SHALL BE A MINIMUM OF 12 INCHES

d003102b



TITLE: 3PH DRIVE TRANSFORMER
NAMEPLATE INFORMATION

4	22/02/02	MM	HCN: 76343	DES: EDESIGN
3	21/07/16	PP	EDB UPDATE	DATE: 03/06/05
NO.	DATE	BY	REVISION	SCALE: NTS

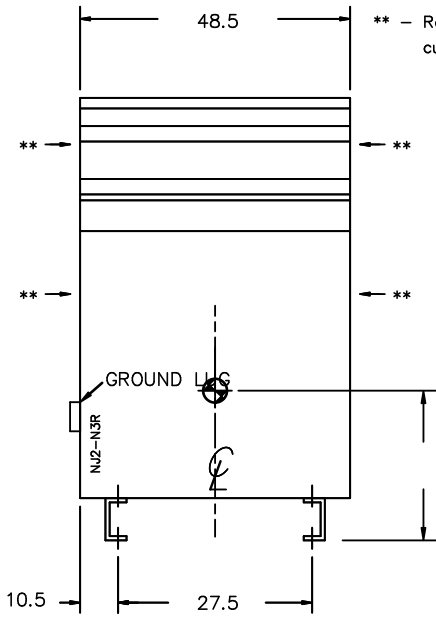
SHEET 1 OF 2

EDBDM550NJ

4.1 http://2026/04/04_23:43

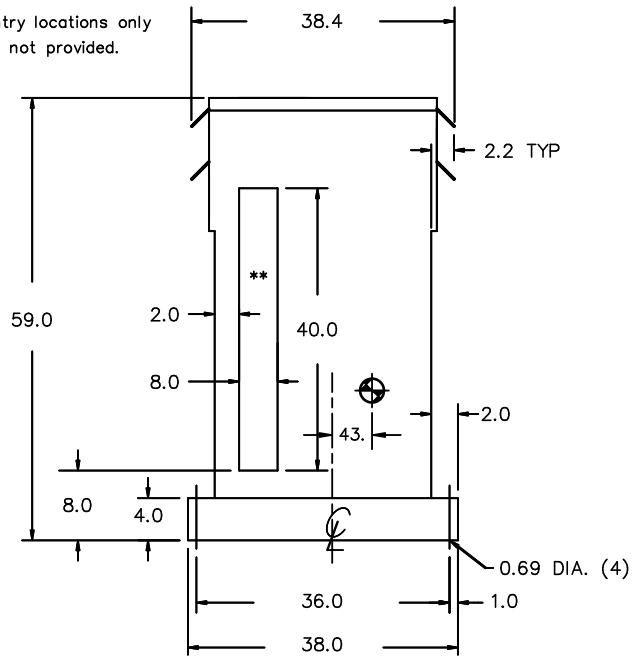
THIS DRAWING CONTAINS STRICTLY CONFIDENTIAL INFORMATION BELONGING TO HAMMOND POWER SOLUTIONS AND MUST NOT BE DISTRIBUTED OUTSIDE AUTHORIZED PARTIES.

FRONT VIEW



** - Recommended cable entry locations only
cutouts & gland plates not provided.

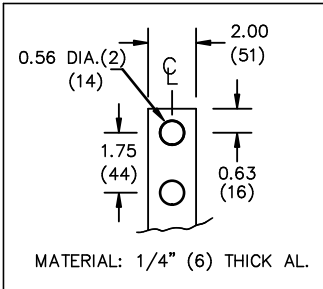
SIDE VIEW



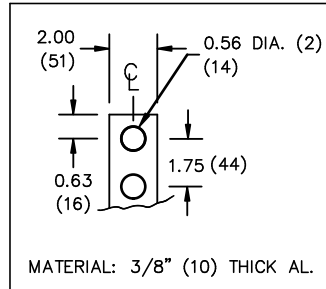
All Dimensions in inches

ENCLOSURE COLOR : ANSI 61 GREY - OUTDOOR

H.V.1. TERMINAL DETAIL



L.V.1. TERMINAL DETAIL



CUSTOMER NOTES:

- HV1 TERMINATED AT TOP FRONT
- LV1 TERMINATED AT BOTTOM FRONT
- C/W 1-"NC"- THERMOSTAT PER COIL CONNECTED TO T.B.

THIS DRAWING CONTAINS STRICTLY CONFIDENTIAL INFORMATION BELONGING TO HAMMOND POWER SOLUTIONS AND MUST NOT BE DISTRIBUTED OUTSIDE AUTHORIZED PARTIES.



TITLE: 3PH DRIVE TRANSFORMER

4	22/02/02	MM	HCN: 76343	DES: EDESIGN
3	21/07/16	PP	EDB UPDATE	DATE: 03/06/05
NO.	DATE	BY	REVISION	SCALE: NTS

SHEET 2 OF 2

EDBDM550N1