



® LR 3902

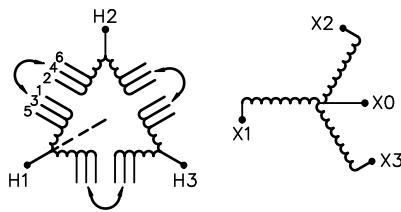
UL DRY TYPE TRANSFORMER 774J5 E112313

LISTED

GUELPH, ONT. BARABOO, WI COMPTON, CA MONTERREY, MX

THREE PHASE DRY TYPE DRIVE ISOLATION TRANSFORMER
TRANSFORMATEUR TRIPHASE POUR VARIATEUR DE VITESSE DE MOTEURS

| | | | | | | |
|--------------|-------------|--------------------|---|--|--------------------------------|--------|
| HV/HT | 480V | | | Cust. Ref. Réf. du client | | |
| BIL | - | | | Serial No. No. de série | | |
| TERM. BORNES | H1 H2 H3 | | | Part No. No. de pièce | DM550KK | |
| | VOLTS | CURRENT COURANT | % RATED VOLTAGE % TENSION NOMINALE | CONNECTION EACH PHASE CONNEXION PAR PHASE | kVA | 550 |
| | 504 | 630 | 105 | 1-2 | TYPE | K |
| | 492 | 645 | 102.5 | 2-3 | Cooling Refroidissement | ANN |
| | 480 | 662 | 100 | 3-4 | Temp. Rise Echauffement | 150 °C |
| | 468 | 679 | 97.5 | 4-5 | Temp. Class Classe de Temp. | 220 °C |
| | 456 | 696 | 95 | 5-6 | Frequency Fréquence | 60 Hz |
| LV/BT | 480Y/277V | | | Impédance % @ 170 °C | 5.6 | |
| BIL | - | | | Encl. Type Type de boîtier | 3R | |
| TERM. BORNES | X0 X1 X2 X3 | | | Wt Poids | 2700 lbs | |
| | | | | Winding Enroulement | AL | |



SPACINGS BETWEEN ANY VENTILATED ENCLOSURE PANEL AND ANY ADJACENT WALL SHALL BE A MINIMUM OF 12 INCHES

d003102b



TITLE: 3PH DRIVE TRANSFORMER
NAMEPLATE INFORMATION

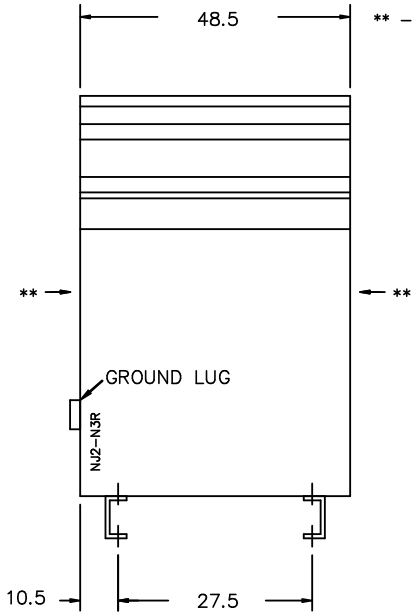
| | | | | |
|-----|----------|----|------------|----------------|
| 5 | 21/07/16 | PP | EDB UPDATE | DES: GPATEL |
| 4 | 08/04/17 | GP | HCN: 29010 | DATE: 01/03/20 |
| NO. | DATE | BY | REVISION | SCALE: NTS |

SHEET 1 OF 2

EDBDM550KK

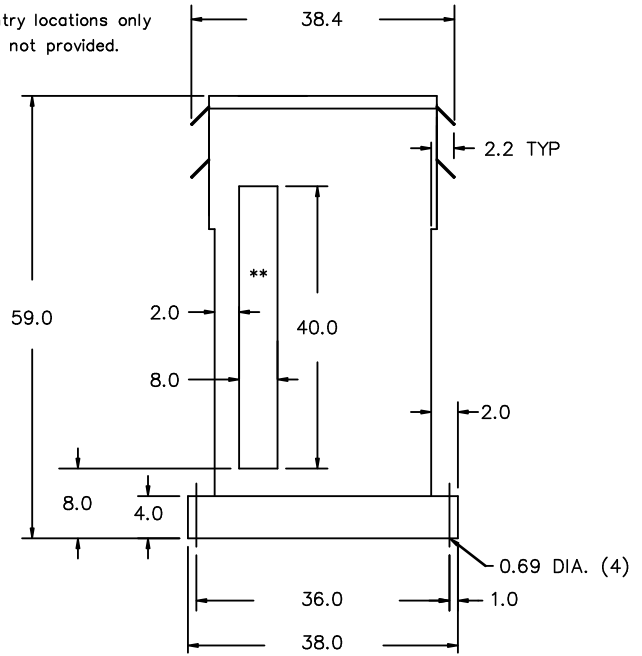
5.0 httpd 2026/06/04 12:15 THIS DRAWING CONTAINS STRICTLY CONFIDENTIAL INFORMATION BELONGING TO HAMMOND POWER SOLUTIONS AND MUST NOT BE DISTRIBUTED OUTSIDE AUTHORIZED PARTIES.

FRONT VIEW



** - Recommended cable entry locations only
cutouts & gland plates not provided.

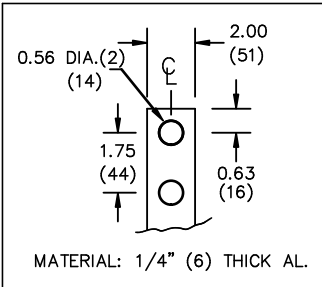
SIDE VIEW



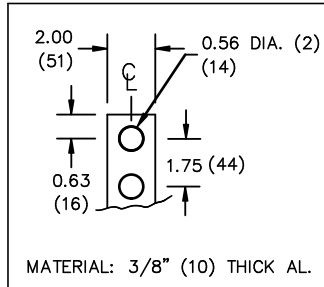
All Dimensions in inches

ENCLOSURE COLOR : ANSI 61 GREY - OUTDOOR

HV TERMINAL DETAIL



LV TERMINAL DETAIL



CUSTOMER NOTES:

- HV TERMINATED AT TOP FRONT
- LV TERMINATED AT BOTTOM FRONT
- C/W 1-"NC"- THERMOSTAT PER COIL CONNECTED TO T.B.



TITLE: 3PH DRIVE TRANSFORMER

| | | | | |
|-----|----------|----|------------|----------------|
| 5 | 21/07/16 | PP | EDB UPDATE | DES: GPATEL |
| 4 | 08/04/17 | GP | HCN: 29010 | DATE: 01/03/20 |
| NO. | DATE | BY | REVISION | SCALE: NTS |

SHEET 2 OF 2

EDBDM550KK