



® LR 3902

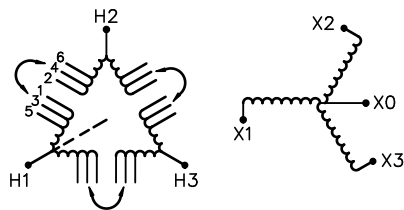
UL DRY TYPE TRANSFORMER 77JUS E112313

LISTED

GUELPH, ONT. BARABOO, WI COMPTON, CA MONTERREY, MX

THREE PHASE DRY TYPE DRIVE ISOLATION TRANSFORMER  
TRANSFORMATEUR TRIPHASE POUR VARIATEUR DE VITESSE DE MOTEURS

HV/HT	480V			Cust. Ref. Réf. du client	
BIL	-			Serial No. No. de série	
TERM. BORNES	H1 H2 H3			Part No. No. de pièce	DM550KDC
	VOLTS	CURRENT COURANT	% RATED VOLTAGE % TENSION NOMINALE	CONNECTION EACH PHASE CONNEXION PAR PHASE	kVA
	504	630	105	1-2	550
	492	645	102.5	2-3	TYPE
	480	662	100	3-4	K
	468	679	97.5	4-5	Cooling Refroidissement
	456	696	95	5-6	ANN
					Temp. Rise Echauffement
					150 °C
					Temp. Class Classe de Temp.
					220 °C
					Frequency Fréquence
					60 Hz
					Impédance % @ 170 °C
					5.3
LV/BT	240Y/139V			Encl. Type Type de boîtier	NEMA-3R
BIL	-			Wt Poids	2900
TERM. BORNES	X0 X1 X2 X3			Winding Enroulement	CU



SPACINGS BETWEEN ENCLOSURE AND ANY ADJACENT WALL SHALL BE A MINIMUM OF 8.25 INCHES

d003102b



TITLE: 3PH DRIVE TRANSFORMER  
NAMEPLATE INFORMATION

1	21/07/16	PP	EDB UPDATE	DES: GPATEL
NO.	DATE	BY	REVISION	SCALE: NTS

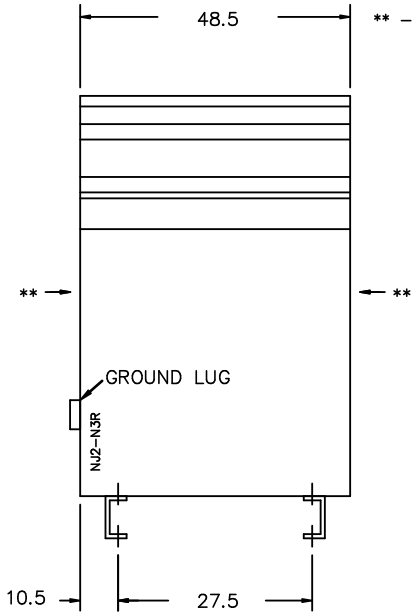
SHEET 1 OF 2

EDBDM550KDC

1.0 httpd 2026/06/24 21:16

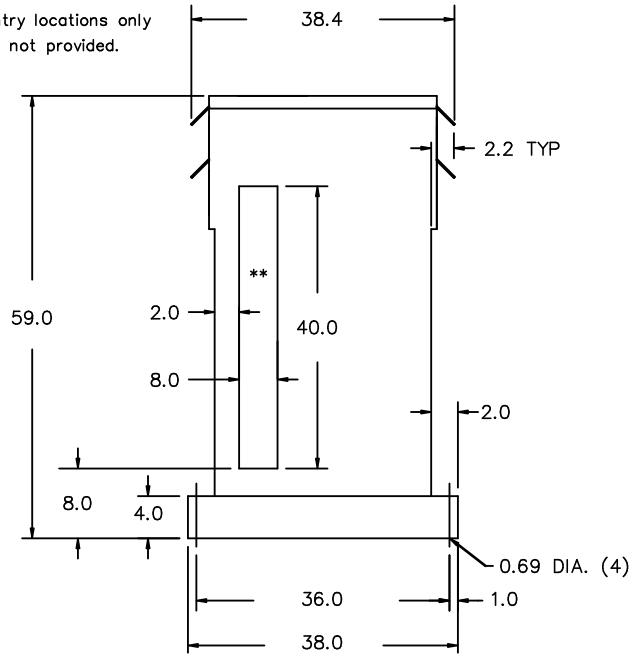
THIS DRAWING CONTAINS STRICTLY CONFIDENTIAL INFORMATION BELONGING TO HAMMOND POWER SOLUTIONS AND MUST NOT BE DISTRIBUTED OUTSIDE AUTHORIZED PARTIES.

FRONT VIEW



\*\* - Recommended cable entry locations only  
cutouts & gland plates not provided.

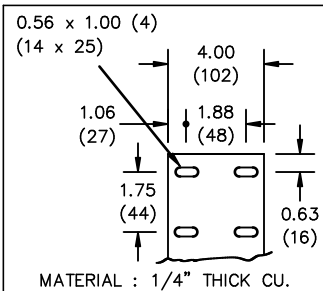
SIDE VIEW



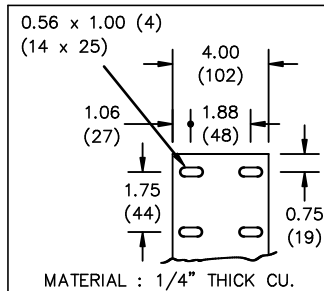
All Dimensions in inches

ENCLOSURE COLOR : ANSI 61 GREY - OUTDOOR

H.V.1. TERMINAL DETAIL



L.V.1. TERMINAL DETAIL



CUSTOMER NOTES:

- HV1 TERMINATED AT TOP FRONT
- LV1 TERMINATED AT BOTTOM FRONT
- C/W 1-"NC"- THERMOSTAT PER COIL CONNECTED TO T.B.



TITLE: 3PH DRIVE TRANSFORMER

1	21/07/16	PP	EDB UPDATE	DES: GPATEL
NO.	DATE	BY	REVISION	SCALE: NTS

SHEET 2 OF 2

EDBDM550KDC