

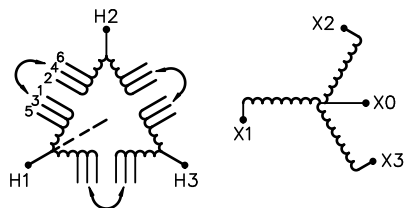


LISTED

GUELPH, ONT. BARABOO, WI COMPTON, CA MONTERREY, MX

THREE PHASE DRY TYPE DRIVE ISOLATION TRANSFORMER
TRANSFORMATEUR TRIPHASE POUR VARIATEUR DE VITESSE DE MOTEURS

HV/HT	460V			Cust. Ref. Réf. du client	
BIL	-			Serial No. No. de série	
TERM. BORNES	H1 H2 H3			Part No. No. de pièce	DM440JH
	VOLTS	CURRENT COURANT	% RATED VOLTAGE % TENSION NOMINALE	CONNECTION EACH PHASE CONNEXION PAR PHASE	kVA
	481	528	104.6	1-2	440
	471	540	102.3	2-3	TYPE
	460	552	100	3-4	K
	449	565	97.7	4-5	Cooling Refroidissement
	439	579	95.4	5-6	ANN
					Temp. Rise Echauffement
					150 °C
					Temp. Class Classe de Temp.
					220 °C
					Frequency Fréquence
					60 Hz
					Impédance % @ 170 °C
					5.3
LV/BT	400Y/23 1V			Encl. Type Type de boîtier	3R
BIL	-			Wt Poids	24 10/ 1094
TERM. BORNES	X0 X1 X2 X3			Winding Enroulement	AL



SPACINGS BETWEEN ANY VENTILATED ENCLOSURE PANEL AND ANY ADJACENT WALL SHALL BE A MINIMUM OF 8.25 INCHES

d003102b



TITLE: 3PH DRIVE TRANSFORMER
NAMEPLATE INFORMATION

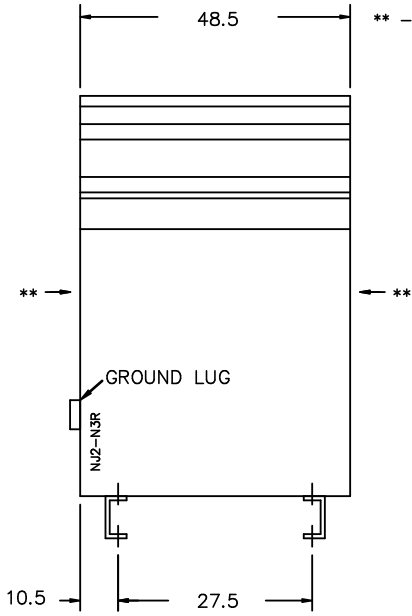
4	23/09/07	AO	EDB UPDATED	DES: GPATEL
3	21/07/16	PP	EDB UPDATE	DATE: 05/07/01
NO.	DATE	BY	REVISION	SCALE: NTS

SHEET 1 OF 2

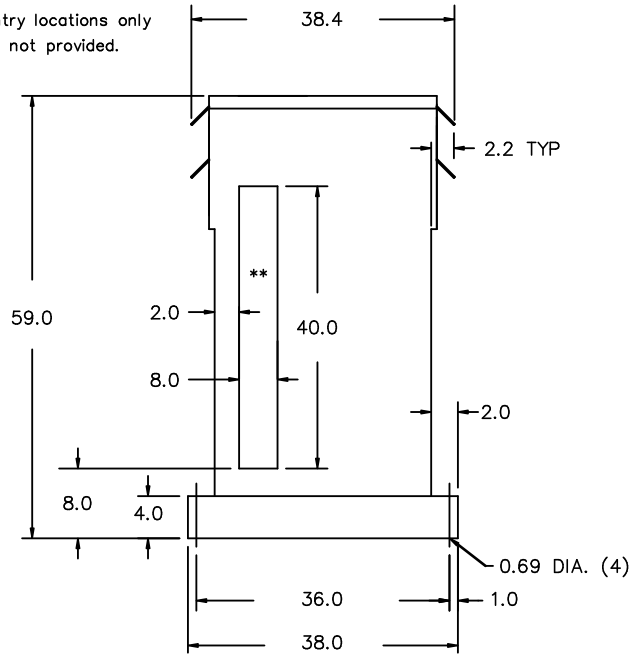
EDBDM440JH

FRONT VIEW

SIDE VIEW



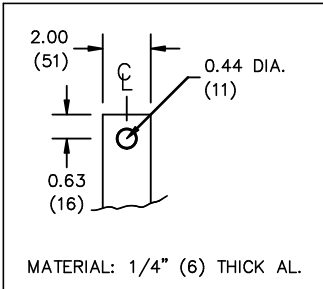
** - Recommended cable entry locations only
cutouts & gland plates not provided.



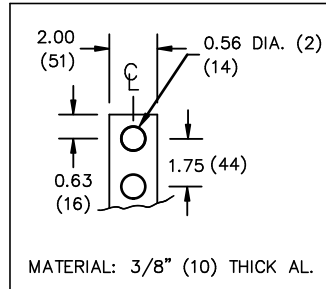
All Dimensions in inches

ENCLOSURE COLOR : ANSI 61 GREY - OUTDOOR

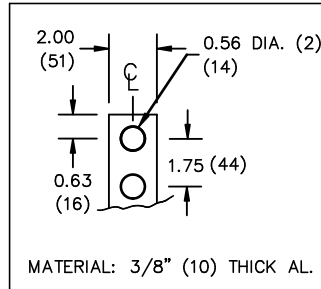
HV TERMINAL DETAIL



LV TERMINAL DETAIL



X0 TERMINAL DETAIL



CUSTOMER NOTES:

- HV TERMINATED AT TOP FRONT
- LV TERMINATED AT BOTTOM FRONT
- X0 TERMINATED AT BOTTOM FRONT
- C/W 1-"NC"- THERMOSTAT PER COIL CONNECTED TO T.B.



TITLE: 3PH DRIVE TRANSFORMER

4	23/09/07	AO	EDB UPDATED	DES: GPATEL
3	21/07/16	PP	EDB UPDATE	DATE: 05/07/01
NO.	DATE	BY	REVISION	SCALE: NTS

SHEET 2 OF 2

EDBDM440JH