



® LR 3902

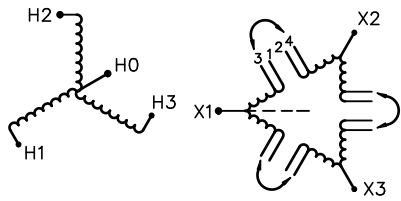
UL DRY TYPE TRANSFORMER 774J5 E112313

LISTED

GUELPH, ONT. BARABOO, WI COMPTON, CA MONTERREY, MX

THREE PHASE DRY TYPE DRIVE ISOLATION TRANSFORMER
TRANSFORMATEUR TRIPHASE POUR VARIATEUR DE VITESSE DE MOTEURS

HV/HT	480Y/277V				Cust. Ref. Réf. du client	
BIL	-				Serial No. No. de série	
TERM. BORNES	H0 H1 H2 H3				Part No. No. de pièce	DM440BK
	VOLTS	CURRENT COURANT	% RATED VOLTAGE % TENSION NOMINALE	CONNECTION EACH PHASE CONNEXION PAR PHASE	kVA	440
	218 208 198	1163 1221 1286	105 100 95	1-2 2-3 3-4	TYPE	K
					Cooling Refroidissement	ANN
					Temp. Rise Echauffement	150 °C
					Temp. Class Classe de Temp.	220 °C
					Frequency Fréquence	60 Hz
					Impédance % @ 170 °C	5.9
LV/BT	208V				Encl. Type Type de boîtier	3R
BIL	-				Wt Poids	2400
TERM. BORNES	X1 X2 X3				Winding Enroulement	AL



SPACINGS BETWEEN ANY VENTILATED ENCLOSURE PANEL AND ANY ADJACENT WALL SHALL BE A MINIMUM OF 8.25 INCHES
TRANSFORMER SUITABLE FOR STEP UP OPERATION ONLY

4003102b

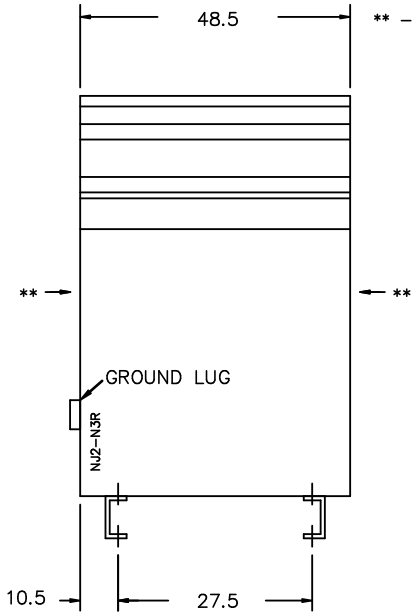


TITLE: 3PH DRIVE TRANSFORMER NAMEPLATE INFORMATION				
1	21/07/16	PP	EDB UPDATE	DES: RMOVVA
NO.	DATE	BY	REVISION	SCALE: NTS

SHEET 1 OF 2
EJBDM440BK

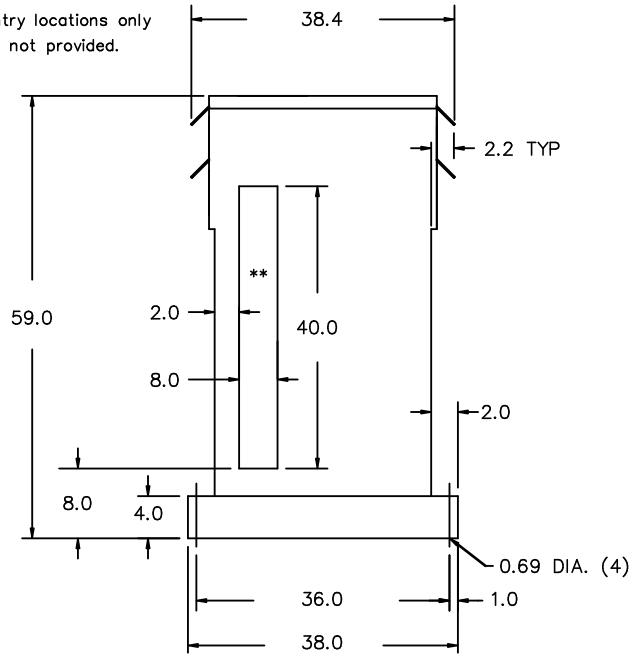
1.0 http://www.hammond.com/2026/05/03/10-27 THIS DRAWING CONTAINS STRICTLY CONFIDENTIAL INFORMATION BELONGING TO HAMMOND POWER SOLUTIONS AND MUST NOT BE DISTRIBUTED OUTSIDE AUTHORIZED PARTIES.

FRONT VIEW



** - Recommended cable entry locations only cutouts & gland plates not provided.

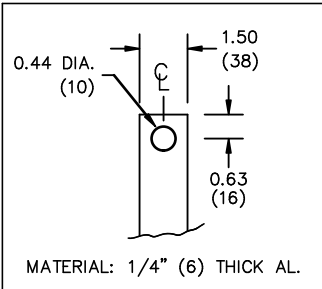
SIDE VIEW



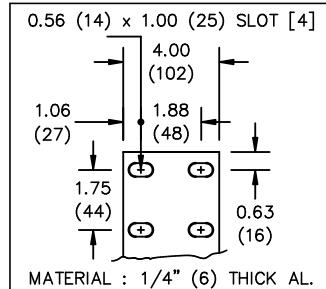
All Dimensions in inches

ENCLOSURE COLOR : ANSI 61 GREY - OUTDOOR

HV TERMINAL DETAIL



LV TERMINAL DETAIL



CUSTOMER NOTES:

- HV TERMINATED AT BOTTOM FRONT
- LV TERMINATED AT TOP FRONT
- C/W 1-"NC"- THERMOSTAT PER COIL CONNECTED TO T.B.



TITLE: 3PH DRIVE TRANSFORMER

1	21/07/16	PP	EDB UPDATE	DES: RMOVVA
NO.	DATE	BY	REVISION	SCALE: NTS

SHEET 2 OF 2

EDBDM440BK