



® LR 3902

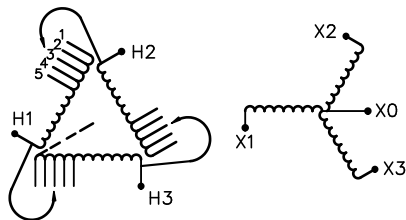
UL DRY TYPE TRANSFORMER 774J5 E112313

LISTED

GUELPH, ONT. BARABOO, WI COMPTON, CA MONTERREY, MX

THREE PHASE DRY TYPE DRIVE ISOLATION TRANSFORMER
TRANSFORMATEUR TRIPHASE POUR VARIATEUR DE VITESSE DE MOTEURS

HV/HT	480V				Cust. Ref. Réf. du client	
BIL	-				Serial No. No. de série	
TERM. BORNES	H1 H2 H3				Part No. No. de pièce	DM330KD
	VOLTS	CURRENT COURANT	% RATED VOLTAGE % TENSION NOMINALE	CONNECTION EACH PHASE CONNEXION PAR PHASE	kVA	330
	504	378	105	1	TYPE	K
	492	387	102.5	2	Cooling Refroidissement	ANN
	480	397	100	3	Temp. Rise Echauffement	150 °C
	468	407	97.5	4	Temp. Class Classe de Temp.	220 °C
	456	418	95	5	Frequency Fréquence	60 Hz
LV/BT	240Y/139V				Impédance % @ 170 °C	5.9
BIL	-				Encl. Type Type de boîtier	3R
TERM. BORNES	X0 X1 X2 X3				Wt Poids	1750 lbs
					Winding Enroulement	AL



SPACINGS BETWEEN ANY VENTILATED ENCLOSURE PANEL AND ANY ADJACENT WALL SHALL BE A MINIMUM OF 5 INCHES EXCEPT WHEN WALL MOUNTED USING APPROVED WALL MOUNTING KIT

d003102b



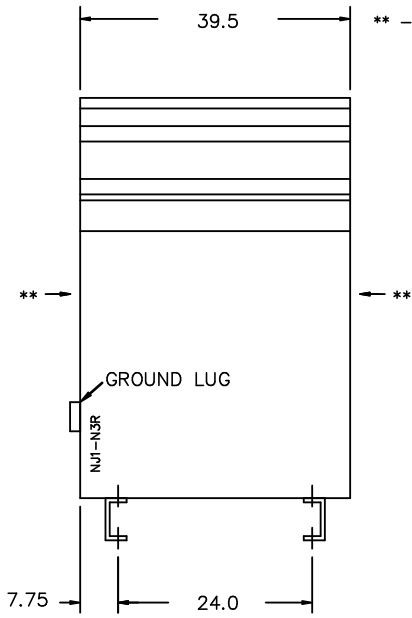
TITLE: 3PH DRIVE TRANSFORMER
NAMEPLATE INFORMATION

3	21/07/16	PP	EDB UPDATE	DES: VGAGAC
2	16/03/04	RB	HCN: 62600	DATE: 00/07/27
NO.	DATE	BY	REVISION	SCALE: NTS

SHEET 1 OF 2

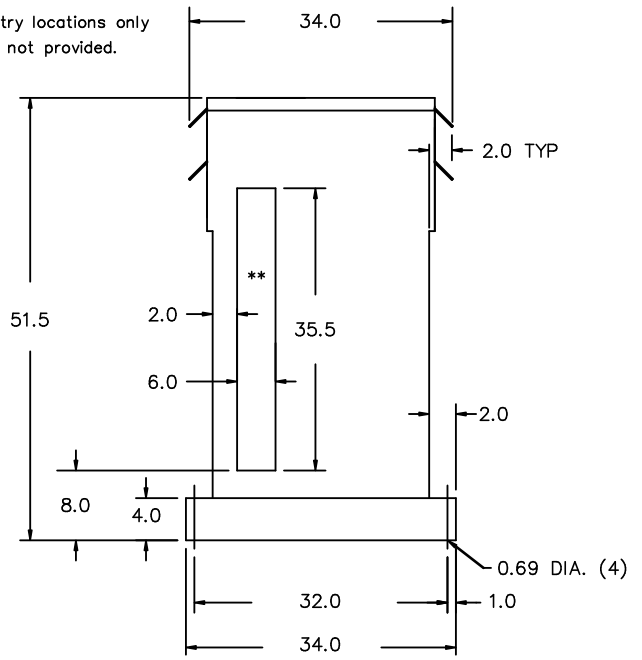
EDBDM330KD

FRONT VIEW



** - Recommended cable entry locations only cutouts & gland plates not provided.

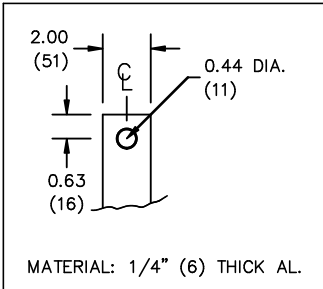
SIDE VIEW



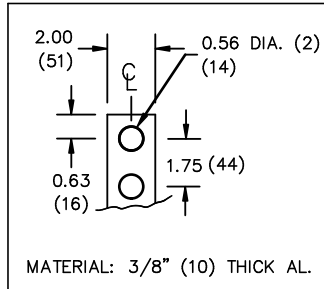
All Dimensions in inches

ENCLOSURE COLOR : ANSI 61 GREY - OUTDOOR

H.V.1. TERMINAL DETAIL



L.V.1. TERMINAL DETAIL



CUSTOMER NOTES:

- HV1 TERMINATED AT TOP FRONT
- LV1 TERMINATED AT BOTTOM FRONT
- C/W 1-"NC"- THERMOSTAT PER COIL CONNECTED TO T.B.

THIS DRAWING CONTAINS STRICTLY CONFIDENTIAL INFORMATION BELONGING TO HAMMOND POWER SOLUTIONS AND MUST NOT BE DISTRIBUTED OUTSIDE AUTHORIZED PARTIES.



TITLE: 3PH DRIVE TRANSFORMER

3	21/07/16	PP	EDB UPDATE	DES: VGAGAC
2	16/03/04	RB	HCN: 62600	DATE: 00/07/27
NO.	DATE	BY	REVISION	SCALE: NTS

SHEET 2 OF 2

EDBDM330KD

3.0 httpd 2026/04/10 08:05