



® LR 3902

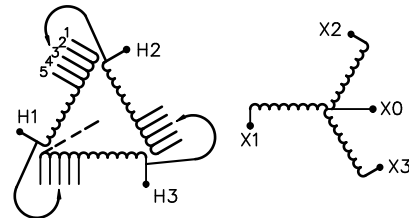
UL DRY TYPE TRANSFORMER 774J5 E112313

LISTED

GUELPH, ONT. BARABOO, WI COMPTON, CA MONTERREY, MX

THREE PHASE DRY TYPE DRIVE ISOLATION TRANSFORMER  
TRANSFORMATEUR TRIPHASE POUR VARIATEUR DE VITESSE DE MOTEURS

HV/HT	460V				Cust. Ref. Réf. du client	
BIL	-				Serial No. No. de série	
TERM. BORNES	H1 H2 H3				Part No. No. de pièce	DM330JJC
	VOLTS	CURRENT COURANT	% RATED VOLTAGE % TENSION NOMINALE	CONNECTION EACH PHASE CONNEXION PAR PHASE	kVA	330
	483	394	105	1	TYPE	K
	472	404	102.5	2	Cooling Refroidissement	ANN
	460	4.14	100	3	Temp. Rise Echauffement	150 °C
	448	425	97.5	4	Temp. Class Classe de Temp.	220 °C
	437	436	95	5	Frequency Fréquence	60 Hz
LV/BT	460Y/266V				Impédance % @ 170 °C	6.5
BIL	-				Encl. Type Type de boîtier	3R
TERM. BORNES	X0 X1 X2 X3				Wt Poids	1800 lbs
					Winding Enroulement	CU



SPACINGS BETWEEN ANY VENTILATED ENCLOSURE PANEL AND ANY ADJACENT WALL SHALL BE A MINIMUM OF 5 INCHES EXCEPT WHEN WALL MOUNTED USING APPROVED WALL MOUNTING KIT

d003102b



TITLE: 3PH DRIVE TRANSFORMER  
NAMEPLATE INFORMATION

11	21/07/13	PP	EDB UPDATE	DES: PSTRNAD
10	17/11/17	JF	UPDATED TO MEET ACTUAL STDS [HCN 66969]	DATE: 00/06/15
NO.	DATE	BY	REVISION	SCALE: NTS

SHEET 1 OF 2

EDBDM330JJC

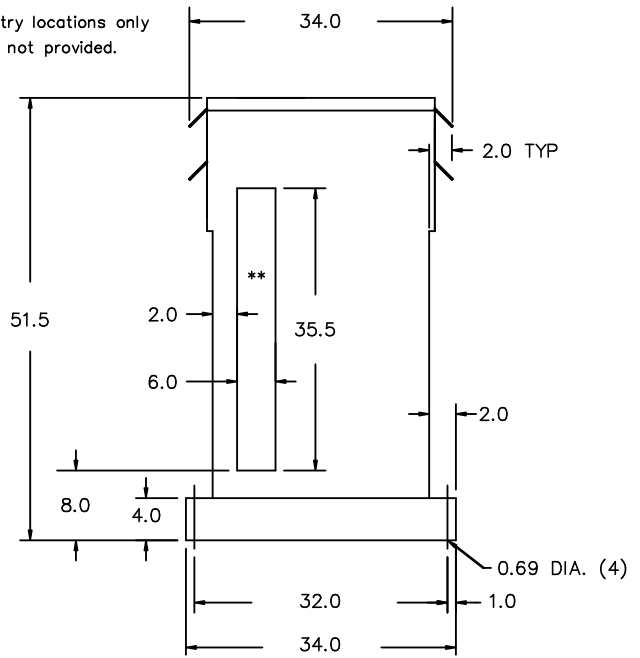
11.0 htpd 2026/04/05 00:32 THIS DRAWING CONTAINS STRICTLY CONFIDENTIAL INFORMATION BELONGING TO HAMMOND POWER SOLUTIONS AND MUST NOT BE DISTRIBUTED OUTSIDE AUTHORIZED PARTIES.

FRONT VIEW



\*\* - Recommended cable entry locations only  
cutouts & gland plates not provided.

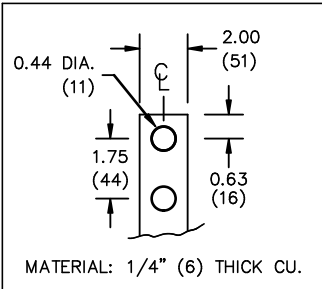
SIDE VIEW



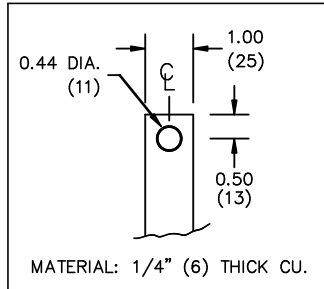
All Dimensions in inches

ENCLOSURE COLOR : ANSI 61 GREY - OUTDOOR

H.V.1. TERMINAL DETAIL



L.V.1. TERMINAL DETAIL



CUSTOMER NOTES:

- HV1 TERMINATED AT TOP FRONT
- LV1 TERMINATED AT BOTTOM FRONT
- C/W 1-"NC"- THERMOSTAT PER COIL CONNECTED TO T.B.



TITLE: 3PH DRIVE TRANSFORMER

11	21/07/13	PP	EDB UPDATE	DES: PSTRNAD
10	17/11/17	JF	UPDATED TO MEET ACTUAL STDS [HCN 66969]	DATE: 00/06/15
NO.	DATE	BY	REVISION	SCALE: NTS

SHEET 2 OF 2

EDBDM330JJC