



® LR 3902

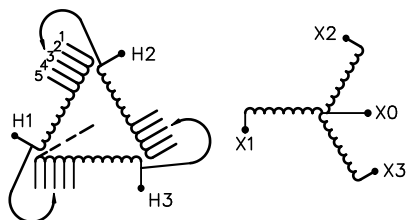
UL DRY TYPE TRANSFORMER 774J5 E112313

LISTED

GUELPH, ONT. BARABOO, WI COMPTON, CA MONTERREY, MX

THREE PHASE DRY TYPE DRIVE ISOLATION TRANSFORMER  
TRANSFORMATEUR TRIPHASE POUR VARIATEUR DE VITESSE DE MOTEURS

HV/HT	460V				Cust. Ref. Réf. du client	
BIL	-				Serial No. No. de série	
TERM. BORNES	H1 H2 H3				Part No. No. de pièce	DM330JH
	VOLTS	CURRENT COURANT	% RATED VOLTAGE % TENSION NOMINALE	CONNECTION EACH PHASE CONNEXION PAR PHASE	kVA	330
	483	394	105	1	TYPE	K
	472	404	102.5	2	Cooling Refroidissement	ANN
	460	414	100	3	Temp. Rise Echauffement	150 °C
	448	425	97.5	4	Temp. Class Classe de Temp.	220 °C
	437	436	95	5	Frequency Fréquence	60 Hz
LV/BT	400Y/231V				Impédance % @ 170 °C	6.3
BIL	-				Encl. Type Type de boîtier	3R
TERM. BORNES	X0 X1 X2 X3				Wt lbs/kg	1650/749
					Winding Enroulement	AL



SPACINGS BETWEEN ANY VENTILATED ENCLOSURE PANEL AND ANY ADJACENT WALL SHALL BE A MINIMUM OF 5 INCHES EXCEPT WHEN WALL MOUNTED USING APPROVED WALL MOUNTING KIT

d003102b



TITLE: 3PH DRIVE TRANSFORMER  
NAMEPLATE INFORMATION

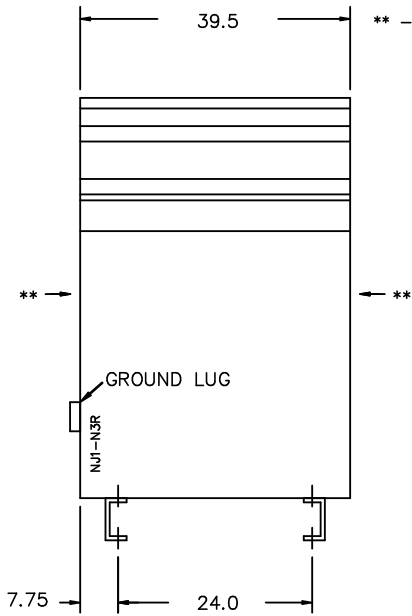
3	21/07/16	PP	EDB UPDATE	DES: GPATEL
2	18/12/21	RM	CHANGED IMPEDANCE & WEIGHT	DATE: 07/02/23
NO.	DATE	BY	REVISION	SCALE: NTS

SHEET 1 OF 2

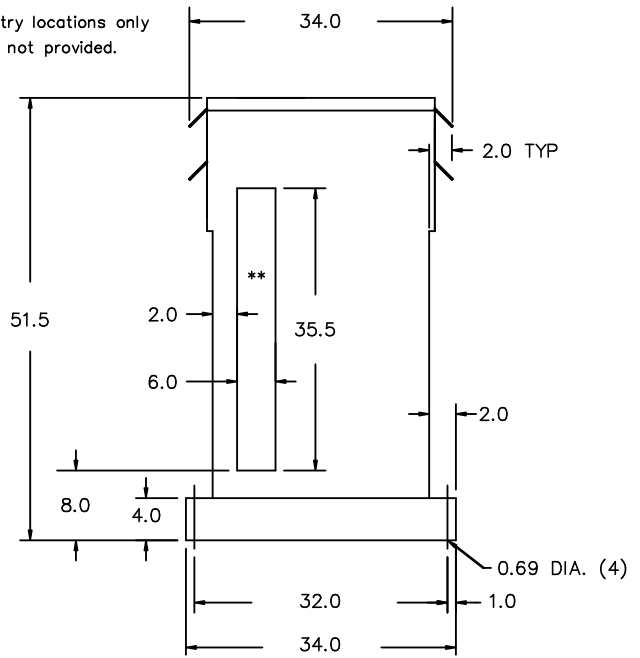
EDBDM330JH

FRONT VIEW

SIDE VIEW



\*\* - Recommended cable entry locations only  
cutouts & gland plates not provided.

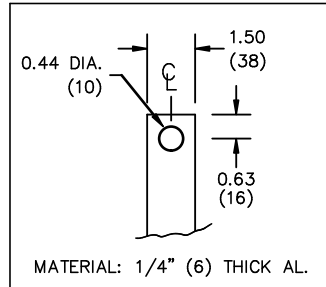
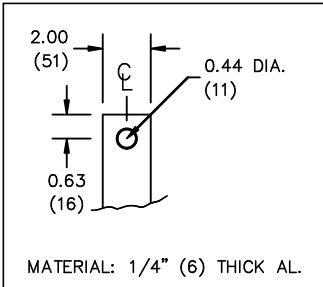


All Dimensions in inches

ENCLOSURE COLOR : ANSI 61 GREY - OUTDOOR

HV TERMINAL DETAIL

LV TERMINAL DETAIL



CUSTOMER NOTES:

- HV TERMINATED AT TOP FRONT
- LV TERMINATED AT BOTTOM FRONT
- C/W 1-"NC"- THERMOSTAT PER COIL CONNECTED TO T.B.



TITLE: 3PH DRIVE TRANSFORMER

3	21/07/16	PP	EDB UPDATE	DES: GPATEL
2	18/12/21	RM	CHANGED IMPEDANCE & WEIGHT	DATE: 07/02/23
NO.	DATE	BY	REVISION	SCALE: NTS

SHEET 2 OF 2

EDBDM330JH