



® LR 3902

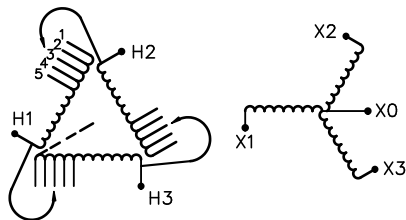
UL DRY TYPE TRANSFORMER 774J5 E112313

LISTED

GUELPH, ONT. BARABOO, WI COMPTON, CA MONTERREY, MX

THREE PHASE DRY TYPE DRIVE ISOLATION TRANSFORMER
TRANSFORMATEUR TRIPHASE POUR VARIATEUR DE VITESSE DE MOTEURS

HV/HT	575V				Cust. Ref. Réf. du client	
BIL	-				Serial No. No. de série	
TERM. BORNES	H1 H2 H3				Part No. No. de pièce	DM275NNC
	VOLTS	CURRENT COURANT	% RATED VOLTAGE % TENSION NOMINALE	CONNECTION EACH PHASE CONNEXION PAR PHASE	kVA	275
	604	263	105	1	TYPE	K
	589	269	102.5	2	Cooling Refroidissement	ANN
	575	276	100	3	Temp. Rise Echauffement	150 °C
	561	283	97.5	4	Temp. Class Classe de Temp.	220 °C
	546	291	95	5	Frequency Fréquence	60 Hz
LV/BT	575Y/332V				Impédance % @ 170 °C	4.8
BIL	-				Encl. Type Type de boîtier	NEMA-3R
TERM. BORNES	X0 X1 X2 X3				Wt Poids	1700 lbs
					Winding Enroulement	CU



SPACINGS BETWEEN ENCLOSURE AND ANY ADJACENT WALL SHALL BE A MINIMUM OF 6 INCHES

d003102b



TITLE: 3PH DRIVE TRANSFORMER
NAMEPLATE INFORMATION

2	21/07/16	PP	EDB UPDATE	DES: GPATEL
1	06/03/20	RB	HCN: 21032	DATE: 01/02/05
NO.	DATE	BY	REVISION	SCALE: NTS

SHEET 1 OF 2

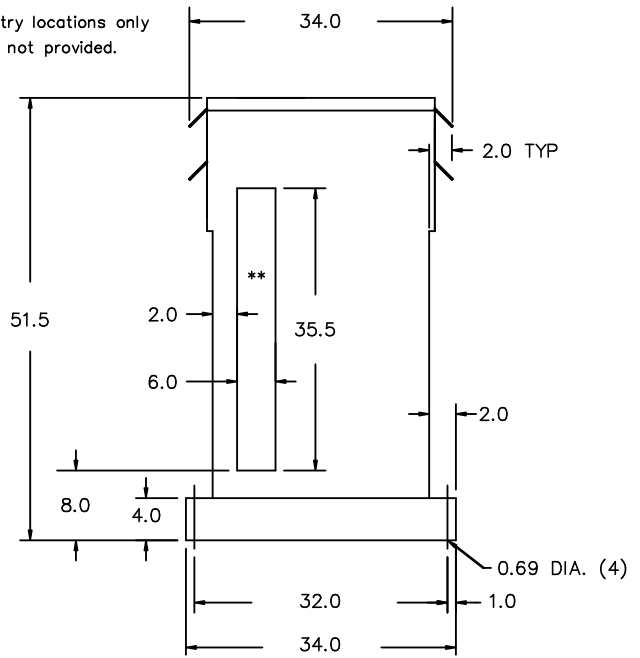
EJBDM275NNC

FRONT VIEW



** - Recommended cable entry locations only cutouts & gland plates not provided.

SIDE VIEW



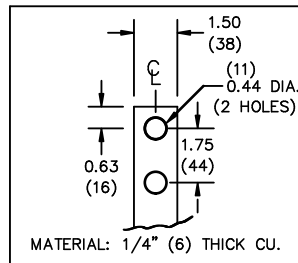
All Dimensions in inches

ENCLOSURE COLOR : ANSI 61 GREY - OUTDOOR

H.V.1. TERMINAL DETAIL

L.V.1. TERMINAL DETAIL

MECHANICAL TYPE LUGS INCLUDED SUITABLE FOR 350MCM-6 CU/AL CONDUCTORS 2 CONDUCTORS PER PHASE



CUSTOMER NOTES:

- HV1 TERMINATED AT TOP FRONT
- LV1 TERMINATED AT BOTTOM FRONT
- C/W 1-"NC"- THERMOSTAT PER COIL CONNECTED TO T.B.

THIS DRAWING CONTAINS STRICTLY CONFIDENTIAL INFORMATION BELONGING TO HAMMOND POWER SOLUTIONS AND MUST NOT BE DISTRIBUTED OUTSIDE AUTHORIZED PARTIES.



TITLE: 3PH DRIVE TRANSFORMER

2	21/07/16	PP	EDB UPDATE	DES: GPATEL
1	06/03/20	RB	HCN: 21032	DATE: 01/02/05
NO.	DATE	BY	REVISION	SCALE: NTS

SHEET 2 OF 2

EDBDM275NNC

2.0 httpd 2026/05/22 12:53