

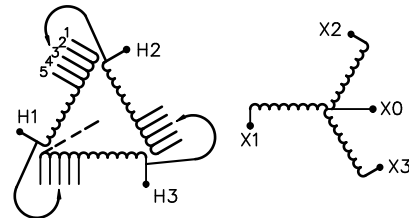


LISTED

GUELPH, ONT. BARABOO, WI COMPTON, CA MONTERREY, MX

THREE PHASE DRY TYPE DRIVE ISOLATION TRANSFORMER
TRANSFORMATEUR TRIPHASE POUR VARIATEUR DE VITESSE DE MOTEURS

HV/HT	575V			Cust. Ref. Réf. du client	
BIL	-			Serial No. No. de série	
TERM. BORNES	H1 H2 H3			Part No. No. de pièce	DM275NJC
	VOLTS	CURRENT COURANT	% RATED VOLTAGE % TENSION NOMINALE	CONNECTION EACH PHASE CONNEXION PAR PHASE	kVA
	610	260	106	1	275
	592	268	103	2	TYPE
	575	276	100	3	K
	558	285	97	4	Cooling Refroidissement
	540	294	94	5	ANN
					Temp. Rise Echauffement
					150 °C
					Temp. Class Classe de Temp.
					220 °C
					Frequency Fréquence
					60 Hz
					Impédance % @ 170 °C
					5.9
LV/BT	460Y/266V 345.2A			Encl. Type Type de boîtier	3R
BIL	-			Wt lbs/kg	1620/735
TERM. BORNES	X0 X1 X2 X3			Winding Enroulement	CU



SPACINGS BETWEEN ANY VENTILATED ENCLOSURE PANEL AND ANY ADJACENT WALL SHALL BE A MINIMUM OF 5 INCHES

d003102b



TITLE: 3PH DRIVE TRANSFORMER
NAMEPLATE INFORMATION

4	25/02/26	AO	EDB UPDATE	DES: EDESIGN
3	21/07/16	PP	EDB UPDATE	DATE: 02/05/16
NO.	DATE	BY	REVISION	SCALE: NTS

SHEET 1 OF 2

EDBDM275NJC

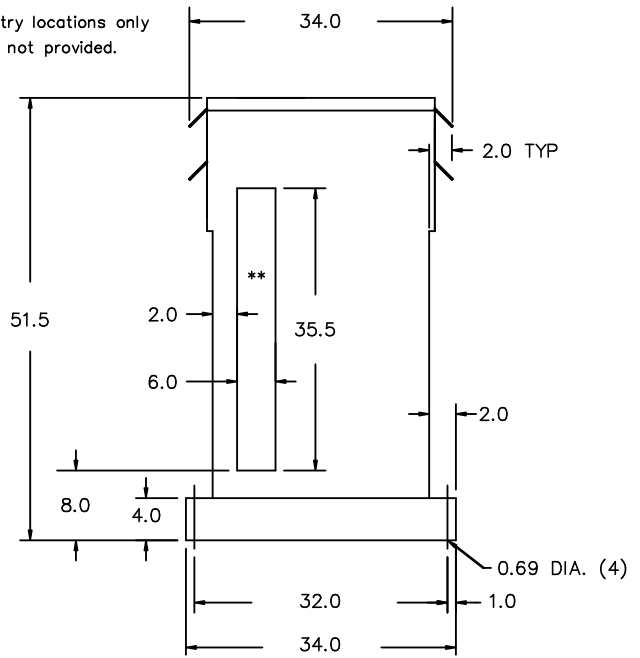
THIS DRAWING CONTAINS STRICTLY CONFIDENTIAL INFORMATION BELONGING TO HAMMOND POWER SOLUTIONS AND MUST NOT BE DISTRIBUTED OUTSIDE AUTHORIZED PARTIES.
4.0 http://2026/04/14 16:42

FRONT VIEW



** - Recommended cable entry locations only
cutouts & gland plates not provided.

SIDE VIEW



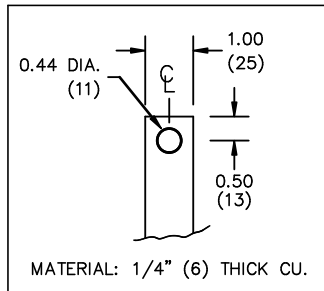
All Dimensions in inches

ENCLOSURE COLOR : ANSI 61 GREY - OUTDOOR

HV TERMINAL DETAIL

LV TERMINAL DETAIL

MECHANICAL TYPE LUGS INCLUDED
SUITABLE FOR 350MCM-6 CU/AL
CONDUCTORS
2 CONDUCTORS PER PHASE



CUSTOMER NOTES:

- HV TERMINATED AT TOP FRONT
- LV TERMINATED AT BOTTOM FRONT
- C/W 1-"NC"- THERMOSTAT PER COIL CONNECTED TO T.B.



TITLE: 3PH DRIVE TRANSFORMER

4	25/02/26	AO	EDB UPDATE	DES: EDESIGN
3	21/07/16	PP	EDB UPDATE	DATE: 02/05/16
NO.	DATE	BY	REVISION	SCALE: NTS

SHEET 2 OF 2

EDBDM275NJC