



® LR 3902

UL DRY TYPE TRANSFORMER 77JUS E112313

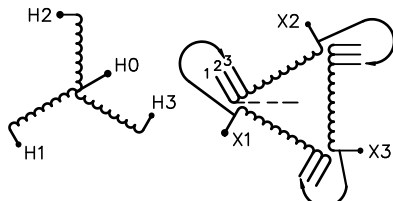
LISTED

GUELPH, ONT. BARABOO, WI COMPTON, CA MONTERREY, MX

THREE PHASE DRY TYPE DRIVE ISOLATION TRANSFORMER
TRANSFORMATEUR TRIPHASE POUR VARIATEUR DE VITESSE DE MOTEURS

HV/HT	480Y/277V				Cust. Ref. Réf. du client	
BIL	-				Serial No. No. de série	
TERM. BORNES	H0 H1 H2 H3				Part No. No. de pièce	DM275BK
	VOLTS	CURRENT COURANT	% RATED VOLTAGE % TENSION NOMINALE	CONNECTION EACH PHASE CONNEXION PAR PHASE	kVA	275
	218 208 198	727 763 803	105 100 95	1 2 3	TYPE	K
	208V				LV/BT	
	-				BIL	
TERM. BORNES	X1 X2 X3				Wt Poids	1600
					Encl. Type Type de boîtier	3R
					Winding Enroulement	AL

Cooling Refroidissement	ANN
Temp. Rise Echauffement	150 °C
Temp. Class Classe de Temp.	220 °C
Frequency Fréquence	60 Hz
Impédance % @ 170 °C	5



SPACINGS BETWEEN ANY VENTILATED ENCLOSURE PANEL AND ANY ADJACENT WALL SHALL BE A MINIMUM OF 5 INCHES EXCEPT WHEN WALL MOUNTED USING APPROVED WALL MOUNTING KIT
TRANSFORMER SUITABLE FOR STEP UP OPERATION ONLY

4003102b

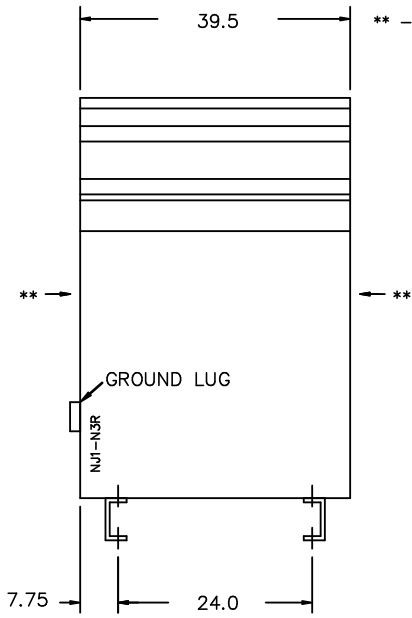


TITLE: 3PH DRIVE TRANSFORMER NAMEPLATE INFORMATION				
2	21/07/16	PP	EDB UPDATE	DES: JWEN
1	19/06/18	GC	CHANGED TAPS AND IMPEDANCE	DATE: 06/06/05
NO.	DATE	BY	REVISION	SCALE: NTS

SHEET 1 OF 2
EDBDM275BK

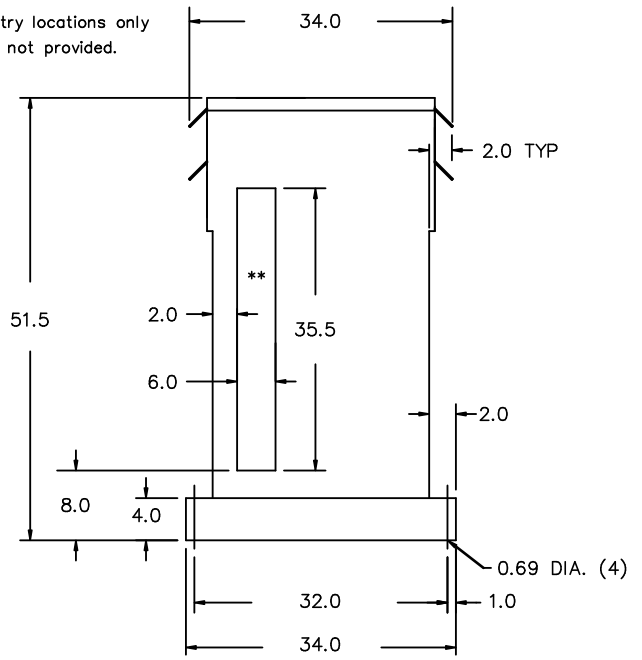
2.1 http://2026/04/05 06:43 THIS DRAWING CONTAINS STRICTLY CONFIDENTIAL INFORMATION BELONGING TO HAMMOND POWER SOLUTIONS AND MUST NOT BE DISTRIBUTED OUTSIDE AUTHORIZED PARTIES.

FRONT VIEW



** - Recommended cable entry locations only
cutouts & gland plates not provided.

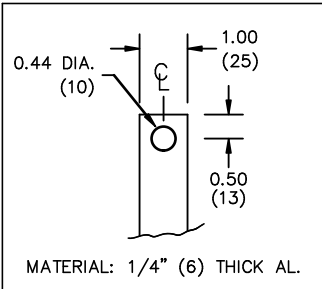
SIDE VIEW



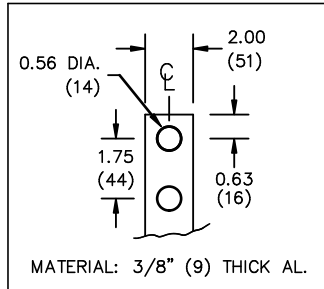
All Dimensions in inches

ENCLOSURE COLOR : ANSI 61 GREY - OUTDOOR

HV TERMINAL DETAIL



LV TERMINAL DETAIL



CUSTOMER NOTES:

- HV TERMINATED AT BOTTOM FRONT
- LV TERMINATED AT TOP FRONT
- C/W 1-"NC"- THERMOSTAT PER COIL CONNECTED TO T.B.



TITLE: 3PH DRIVE TRANSFORMER

2	21/07/16	PP	EDB UPDATE	DES: JWEN
1	19/06/18	GC	CHANGED TAPS AND IMPEDANCE	DATE: 06/06/05
NO.	DATE	BY	REVISION	SCALE: NTS

SHEET 2 OF 2

EDBDM275BK