



® LR 3902

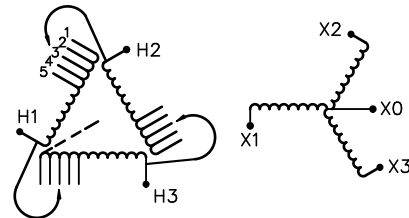
UL DRY TYPE TRANSFORMER 774J5 E112313

LISTED

GUELPH, ONT. BARABOO, WI COMPTON, CA MONTERREY, MX

THREE PHASE DRY TYPE DRIVE ISOLATION TRANSFORMER
TRANSFORMATEUR TRIPHASE POUR VARIATEUR DE VITESSE DE MOTEURS

HV/HT	575V				Cust. Ref. Réf. du client	
BIL	-				Serial No. No. de série	
TERM. BORNES	H1 H2 H3				Part No. No. de pièce	DM220NNC
	VOLTS	CURRENT COURANT	% RATED VOLTAGE % TENSION NOMINALE	CONNECTION EACH PHASE CONNEXION PAR PHASE	kVA	220
	604	210	105	1	TYPE	K
	589	216	102.5	2	Cooling Refroidissement	ANN
	575	221	100	3	Temp. Rise Echauffement	150 °C
	561	227	97.5	4	Temp. Class Classe de Temp.	220 °C
	546	233	95	5	Frequency Fréquence	60 Hz
LV/BT	575Y/332V 221A				Impédance % @ 170 °C	3.5
BIL	-				Encl. Type Type de boîtier	3R
TERM. BORNES	X0 X1 X2 X3				Wt Poids lbs/kg	1500/681
					Winding Enroulement	CU



SPACINGS BETWEEN ANY VENTILATED ENCLOSURE PANEL AND ANY ADJACENT WALL SHALL BE A MINIMUM OF 5 INCHES

d003102b



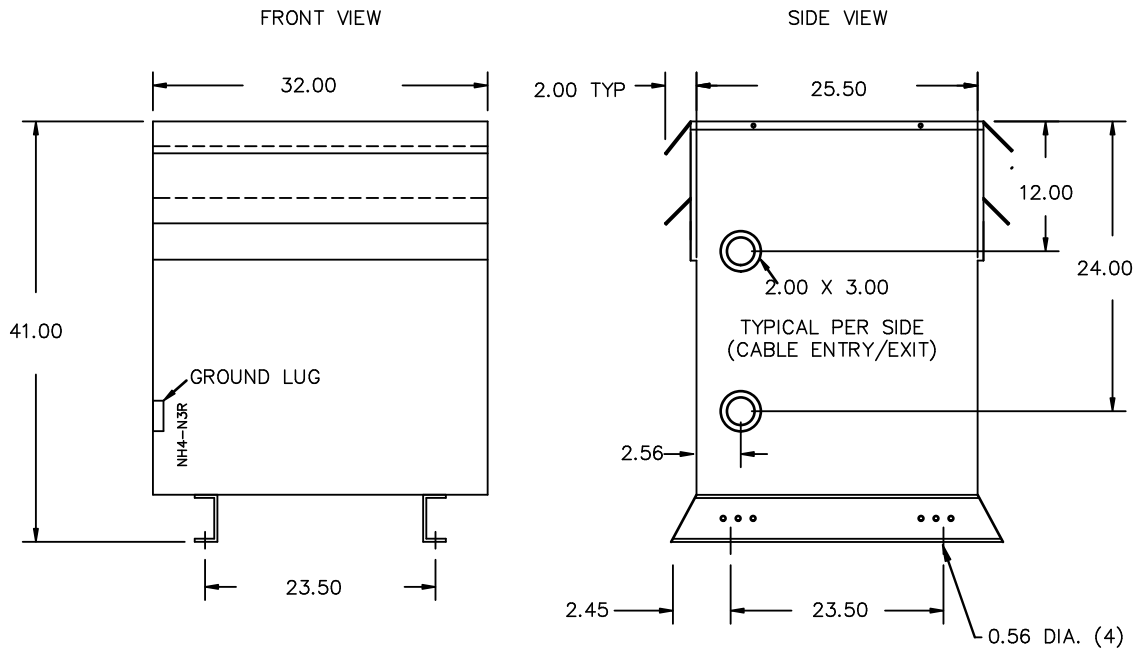
TITLE: 3PH DRIVE TRANSFORMER
NAMEPLATE INFORMATION

3	24/04/01	AO	EDB UPDATE	DES: MBURSAC
2	21/07/13	PP	EDB UPDATE	DATE: 02/12/02
NO.	DATE	BY	REVISION	SCALE: NTS

SHEET 1 OF 2

EDBDM220NNC

3.0 httpd 2026/05/26 12:55 THIS DRAWING CONTAINS STRICTLY CONFIDENTIAL INFORMATION BELONGING TO HAMMOND POWER SOLUTIONS AND MUST NOT BE DISTRIBUTED OUTSIDE AUTHORIZED PARTIES.



All Dimensions in inches

ENCLOSURE COLOR :ANSI 61 GREY – OUTDOOR

HV TERMINAL DETAIL

LV TERMINAL DETAIL

MECHANICAL TYPE LUGS INCLUDED
SUITABLE FOR 600MCM-2 CU/AL
CONDUCTORS
1 CONDUCTOR PER PHASE

MECHANICAL TYPE LUGS INCLUDED
SUITABLE FOR 600MCM-2 CU/AL
CONDUCTORS
1 CONDUCTOR PER PHASE

CUSTOMER NOTES:

- HV TERMINATED AT TOP FRONT
- LV TERMINATED AT BOTTOM FRONT
- C/W 1-”NC”- THERMOSTAT PER COIL CONNECTED TO T.B.



TITLE: 3PH DRIVE TRANSFORMER

3	24/04/01	AO	EDB UPDATE	DES: MBURSAC
2	21/07/13	PP	EDB UPDATE	DATE: 02/12/02
NO.	DATE	BY	REVISION	SCALE: NTS

SHEET 2 OF 2

EDBDM220N1C