

hammond
POWER SOLUTIONS

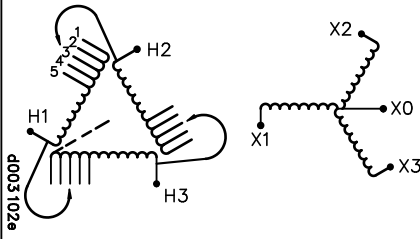
® LR 3902
UL DRY TYPE TRANSFORMER
77U5
E112313

LISTED

GUELPH, ONT. BARABOO, WI COMPTON, CA MONTERREY, MX

THREE PHASE DRY TYPE DRIVE ISOLATION TRANSFORMER

HV	480V			CUST. REF.	
BIL	-			SERIAL NO.	
TERM.	H1 H2 H3			PART NO.	DM220KD
	VOLTS	CURRENT	% RATED VOLTAGE	CONNECT EACH PHASE	kVA
	504	252	105	1	220
	492	258	102.5	2	TYPE
	480	265	100	3	K
	468	271	97.5	4	COOLING
	456	279	95	5	ANN
					TEMP. RISE
					150 °C
					TEMP. CLASS
					220 °C
					FREQUENCY
					60 Hz
					IMPEDANCE %
					4.5
					ENCL. TYPE
					NEMA-3R
LV	240Y/139V			WT. lbs	1400
BIL	-			WINDING MATERIAL	AL
TERM.	X0 X1 X2 X3			SPACINGS BETWEEN ENCLOSURE AND ANY ADJACENT WALL SHALL BE A MINIMUM OF 6 INCHES	



hammond
POWER SOLUTIONS

TITLE: 3PH DRIVE TRANSFORMER
NAMEPLATE INFORMATION

2	21/07/16	PP	EDB UPDATE	DES: VGAGAC
1	04/01/19	LR	HCN: 20688	DATE: 00/07/27
NO.	DATE	BY	REVISION	SCALE: NTS

SHEET 1 OF 3

EDBDM220KD

THIS DRAWING CONTAINS STRICTLY CONFIDENTIAL INFORMATION BELONGING TO HAMMOND POWER SOLUTIONS AND MUST NOT BE DISTRIBUTED OUTSIDE AUTHORIZED PARTIES.
2.0 httpd 2026/06/24 21:16



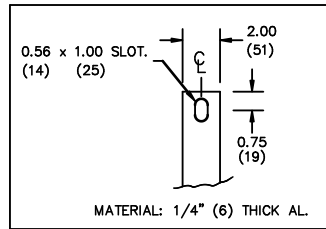
All Dimensions in inches

ENCLOSURE COLOR :ANSI 61 GREY - OUTDOOR

H.V.1. TERMINAL DETAIL

L.V.1. TERMINAL DETAIL

MECHANICAL TYPE LUGS INCLUDED
SUITABLE FOR 350MCM-6 CU/AL
CONDUCTORS
2 CONDUCTORS PER PHASE



CUSTOMER NOTES:

- HV1 TERMINATED AT TOP FRONT
- LV1 TERMINATED AT COIL FACE

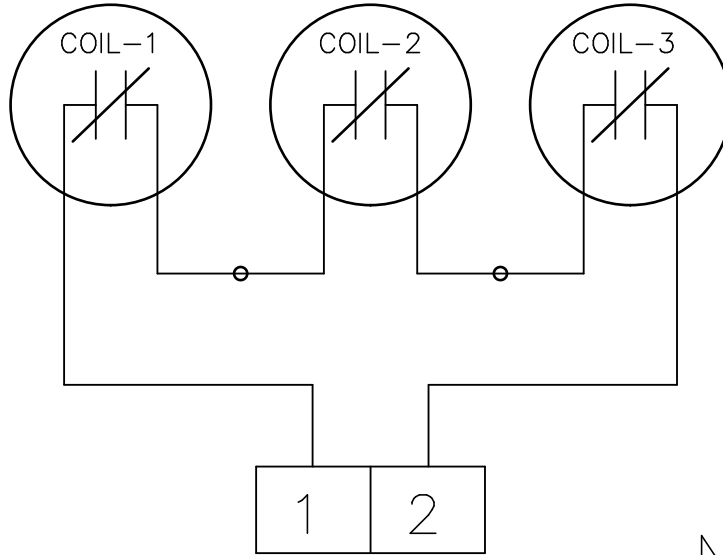


TITLE: 3PH DRIVE TRANSFORMER

2	21/07/16	PP	EDB UPDATE	DES: VGAGAC
1	04/01/19	LR	HCN: 20688	DATE: 00/07/27
NO.	DATE	BY	REVISION	SCALE: NTS

SHEET 2 OF 3

EDBDM220KD



N.C. 200°C
 LABELED ON TERM BLOCK



TITLE:		3PH DRIVE TRANSFORMER		
		THERMOSTAT DIAGRAM		
2	21/07/16	PP	EDB UPDATE	DES: VGAGAC
1	04/01/19	LR	HCN: 20688	DATE: 00/07/27
NO.	DATE	BY	REVISION	SCALE: N.T.S.

SHEET 3 OF 3

EDBDM220KD