



® LR 3902

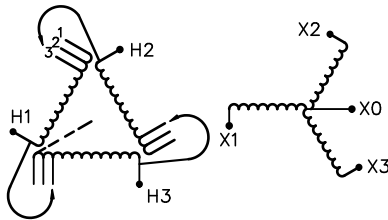
UL DRY TYPE TRANSFORMER 774J5 E112313

LISTED

GUELPH, ONT. BARABOO, WI COMPTON, CA MONTERREY, MX

THREE PHASE DRY TYPE DRIVE ISOLATION TRANSFORMER  
TRANSFORMATEUR TRIPHASE POUR VARIATEUR DE VITESSE DE MOTEURS

HV/HT	575V				Cust. Ref. Réf. du client	
BIL	-				Serial No. No. de série	
TERM. BORNES	H1 H2 H3				Part No. No. de pièce	DM175NNC
	VOLTS	CURRENT COURANT	% RATED VOLTAGE % TENSION NOMINALE	CONNECTION EACH PHASE CONNEXION PAR PHASE	kVA	175
	604	167	105	1	TYPE	K
	575	176	100	2	Cooling Refroidissement	ANN
	546	185	95	3	Temp. Rise Echauffement	150 °C
					Temp. Class Classe de Temp.	220 °C
					Frequency Fréquence	60 Hz
					Impédance % @ 170 °C	5.1
LV/BT	575Y/332V				Encl. Type Type de boîtier	3R
BIL	-				Wt Poids	1100 lbs
TERM. BORNES	X0 X1 X2 X3				Winding Enroulement	CU



SPACINGS BETWEEN ANY VENTILATED ENCLOSURE PANEL AND ANY ADJACENT WALL SHALL BE A MINIMUM OF 5 INCHES EXCEPT WHEN WALL MOUNTED USING APPROVED WALL MOUNTING KIT

d003102b

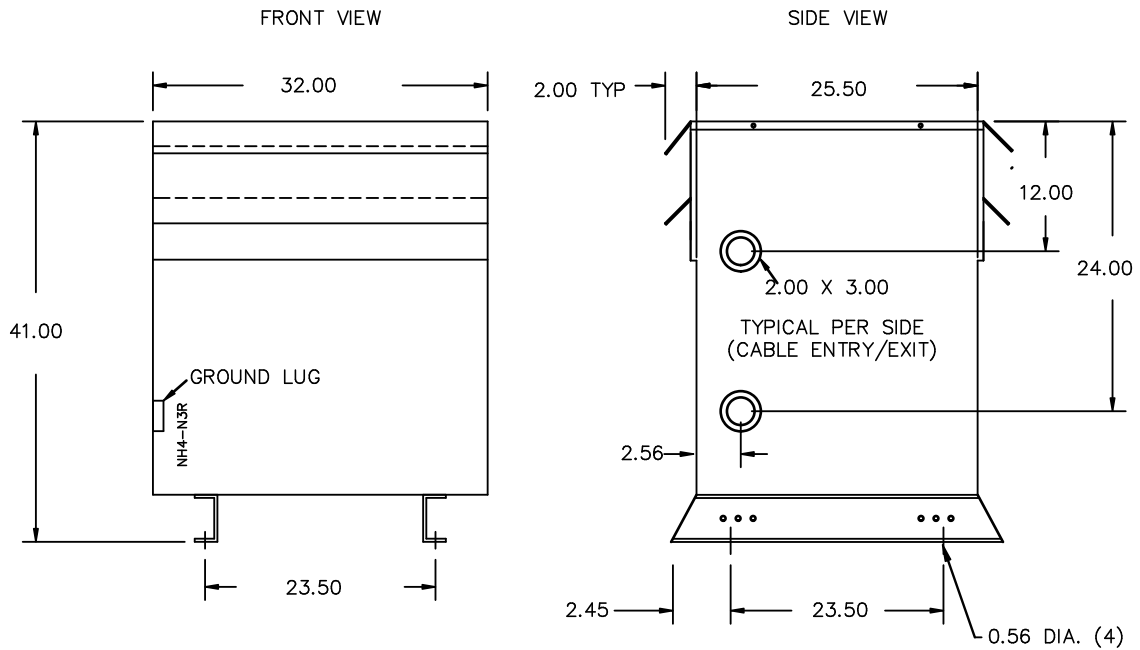


TITLE: 3PH DRIVE TRANSFORMER  
NAMEPLATE INFORMATION

2	21/07/16	PP	EDB UPDATE	DES: GRID1
1	17/02/13	RM	CHANGED CORE_REF:	DATE: 05/07/22
NO.	DATE	BY	REVISION	SCALE: NTS

SHEET 1 OF 2

EDBDM175NNC



All Dimensions in inches

ENCLOSURE COLOR :ANSI 61 GREY – OUTDOOR

HV TERMINAL DETAIL

LV TERMINAL DETAIL

MECHANICAL TYPE LUGS INCLUDED  
SUITABLE FOR 350MCM-6 CU/AL  
CONDUCTORS  
1 CONDUCTOR PER PHASE

MECHANICAL TYPE LUGS INCLUDED  
SUITABLE FOR 350MCM-6 CU/AL  
CONDUCTORS  
1 CONDUCTOR PER PHASE

CUSTOMER NOTES:

- HV TERMINATED AT TOP FRONT
- LV TERMINATED AT BOTTOM FRONT
- C/W 1-”NC”- THERMOSTAT PER COIL CONNECTED TO T.B.



TITLE: 3PH DRIVE TRANSFORMER

2	21/07/16	PP	EDB UPDATE	DES: GRID1
1	17/02/13	RM	CHANGED CORE_REF:	DATE: 05/07/22
NO.	DATE	BY	REVISION	SCALE: NTS

SHEET 2 OF 2

EDBDM175NNC