



® LR 3902

UL DRY TYPE TRANSFORMER 774J5 E112313

LISTED

GUELPH, ONT. BARABOO, WI COMPTON, CA MONTERREY, MX

THREE PHASE DRY TYPE DRIVE ISOLATION TRANSFORMER
TRANSFORMATEUR TRIPHASE POUR VARIATEUR DE VITESSE DE MOTEURS

HV/HT	480V				Cust. Ref. Réf. du client	
BIL	-				Serial No. No. de série	
TERM. BORNES	H1 H2 H3				Part No. No. de pièce	DM118KD
	VOLTS	CURRENT COURANT	% RATED VOLTAGE % TENSION NOMINALE	CONNECTION EACH PHASE CONNEXION PAR PHASE	kVA	118
	504	135	105	1	TYPE	K
	480	142	100	2	Cooling Refroidissement	ANN
	456	149	95	3	Temp. Rise Echauffement	150 °C
					Temp. Class Classe de Temp.	220 °C
					Frequency Fréquence	60 Hz
					Impédance % @ 170 °C	4.3
LV/BT	240Y/139V				Encl. Type Type de boîtier	NEMA-3R
BIL	-				Wt Poids	715 lbs
TERM. BORNES	X0 X1 X2 X3				Winding Enroulement	AL



SPACINGS BETWEEN ANY VENTILATED ENCLOSURE PANEL AND ANY ADJACENT WALL SHALL BE A MINIMUM OF 5 INCHES

d003102b

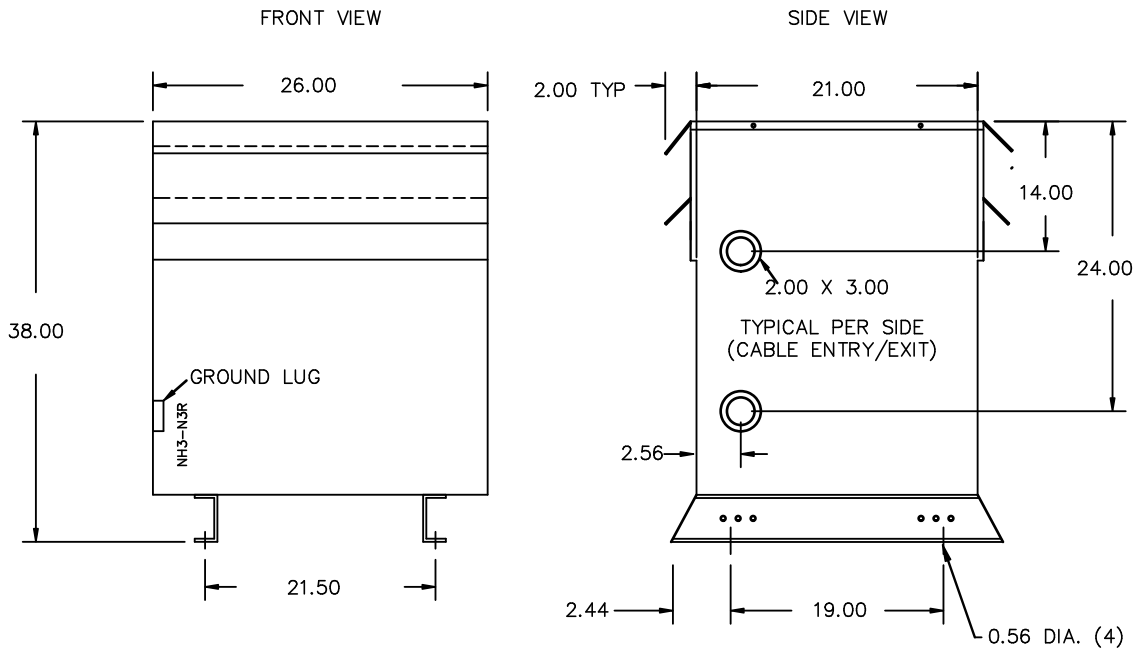


TITLE: 3PH DRIVE TRANSFORMER
NAMEPLATE INFORMATION

4	21/07/13	PP	EDB UPDATE	DES: VGAGAC
3	10/05/06	RM	HCN: 27751	DATE: 00/07/24
NO.	DATE	BY	REVISION	SCALE: NTS

SHEET 1 OF 2

EDBDM118KD



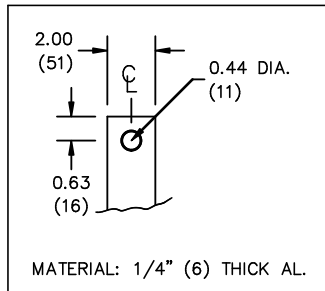
All Dimensions in inches

ENCLOSURE COLOR :ANSI 61 GREY- OUTDOOR

H.V.1. TERMINAL DETAIL

L.V.1. TERMINAL DETAIL

MECHANICAL TYPE LUGS INCLUDED
SUITABLE FOR 250MCM-6 CU/AL
CONDUCTORS
1 CONDUCTOR PER PHASE



CUSTOMER NOTES:

- HV1 TERMINATED AT TOP FRONT
- LV1 TERMINATED AT BOTTOM FRONT
- C/W 1-"NC"- THERMOSTAT PER COIL CONNECTED TO T.B.



TITLE: 3PH DRIVE TRANSFORMER

4	21/07/13	PP	EDB UPDATE	DES: VGAGAC
3	10/05/06	RM	HCN: 27751	DATE: 00/07/24
NO.	DATE	BY	REVISION	SCALE: NTS

SHEET 2 OF 2

EDBDM118KD