



® LR 3902

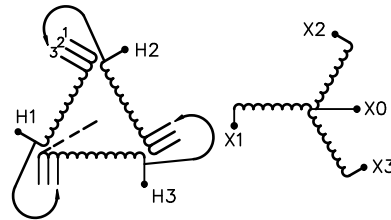
UL DRY TYPE TRANSFORMER 774J5 E112313

LISTED

GUELPH, ONT. BARABOO, WI COMPTON, CA MONTERREY, MX

THREE PHASE DRY TYPE DRIVE ISOLATION TRANSFORMER
TRANSFORMATEUR TRIPHASE POUR VARIATEUR DE VITESSE DE MOTEURS

HV/HT	480V				Cust. Ref. Réf. du client	
BIL	-				Serial No. No. de série	
TERM. BORNES	H1 H2 H3				Part No. No. de pièce	DM093KDC
	VOLTS	CURRENT COURANT	% RATED VOLTAGE % TENSION NOMINALE	CONNECTION EACH PHASE CONNEXION PAR PHASE	kVA	93
	504 480 456	106.5 112 118	105 100 95	1 2 3	TYPE	K
	240Y/139V, 223.7A				Cooling Refroidissement	ANN
LV/BT					Temp. Rise Echauffement	150 °C
BIL	-				Temp. Class Classe de Temp.	220 °C
TERM. BORNES	X0 X1 X2 X3				Frequency Fréquence	60 Hz
					Impédance % @ 170 °C	3.5
					Encl. Type Type de boîtier	3R
					Wt Poids	725 lbs
					Winding Enroulement	CU



SPACINGS BETWEEN ANY VENTILATED ENCLOSURE PANEL AND ANY ADJACENT WALL SHALL BE A MINIMUM OF 5 INCHES

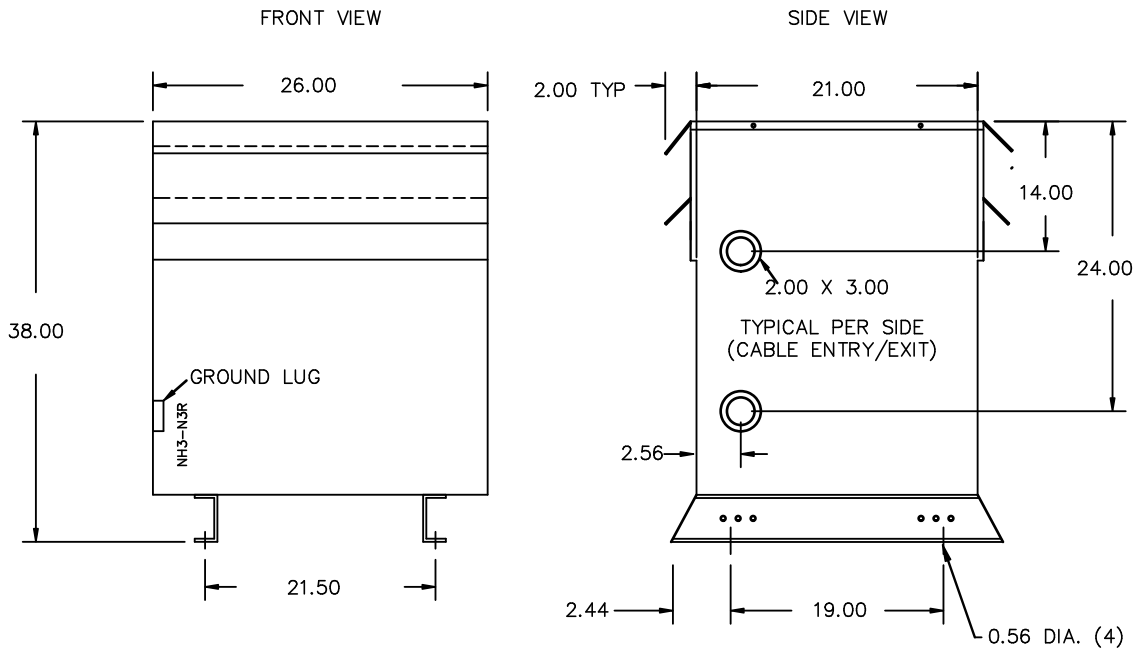
4003102b



TITLE:		3PH DRIVE TRANSFORMER NAMEPLATE INFORMATION		
4	21/07/16	PP	EDB UPDATE	DES: RMOVVA
3	17/05/22	DC	ADDED LV AMPS	DATE: 07/12/07
NO.	DATE	BY	REVISION	SCALE: NTS

SHEET 1 OF 2
EDBDM093KDC

THIS DRAWING CONTAINS STRICTLY CONFIDENTIAL INFORMATION BELONGING TO HAMMOND POWER SOLUTIONS AND MUST NOT BE DISTRIBUTED OUTSIDE AUTHORIZED PARTIES.
4.0 httpd 2026/04/04 10:06



All Dimensions in inches

ENCLOSURE COLOR :ANSI 61 GREY- OUTDOOR

HV TERMINAL DETAIL

LV TERMINAL DETAIL

MECHANICAL TYPE LUGS INCLUDED
SUITABLE FOR 250MCM-6 CU/AL
CONDUCTORS
1 CONDUCTOR PER PHASE

MECHANICAL TYPE LUGS INCLUDED
SUITABLE FOR 600MCM-2 CU/AL
CONDUCTORS
1 CONDUCTOR PER PHASE

CUSTOMER NOTES:

- HV TERMINATED AT TOP FRONT
- LV TERMINATED AT BOTTOM FRONT
- C/W 1-"NC"- THERMOSTAT PER COIL CONNECTED TO T.B.



TITLE: 3PH DRIVE TRANSFORMER

4	21/07/16	PP	EDB UPDATE	DES: RMOVVA
3	17/05/22	DC	ADDED LV AMPS	DATE: 07/12/07
NO.	DATE	BY	REVISION	SCALE: NTS

SHEET 2 OF 2

EDBDM093KDC