



® LR 3902

UL DRY TYPE TRANSFORMER 774J5 E112313

LISTED

GUELPH, ONT. BARABOO, WI COMPTON, CA MONTERREY, MX

THREE PHASE DRY TYPE DRIVE ISOLATION TRANSFORMER
TRANSFORMATEUR TRIPHASE POUR VARIATEUR DE VITESSE DE MOTEURS

| | | | | | | |
|--------------|-------------------|--------------------|---|--|--------------------------------|---------|
| HV/HT | 460V | | | | Cust. Ref. Réf. du client | |
| BIL | - | | | | Serial No. No. de série | |
| TERM. BORNES | H1 H2 H3 | | | | Part No. No. de pièce | DM093JC |
| | VOLTS | CURRENT COURANT | % RATED VOLTAGE % TENSION NOMINALE | CONNECTION EACH PHASE CONNEXION PAR PHASE | kVA | 93 |
| | 483 460 437 | 111 117 123 | 105 100 95 | 1 2 3 | TYPE | K |
| | 230Y/133V | | | | Cooling Refroidissement | ANN |
| LV/BT | | | | | Temp. Rise Echauffement | 150 °C |
| BIL | - | | | | Temp. Class Classe de Temp. | 220 °C |
| TERM. BORNES | X0 X1 X2 X3 | | | | Frequency Fréquence | 60 Hz |
| | | | | | Impédance % @ 170 °C | 3.1 |
| | | | | | Encl. Type Type de boîtier | 3R |
| | | | | | Wt Poids | 735 lbs |
| | | | | | Winding Enroulement | AL |



SPACINGS BETWEEN ANY VENTILATED ENCLOSURE PANEL AND ANY ADJACENT WALL SHALL BE A MINIMUM OF 5 INCHES EXCEPT WHEN WALL MOUNTED USING APPROVED WALL MOUNTING KIT

d003102b



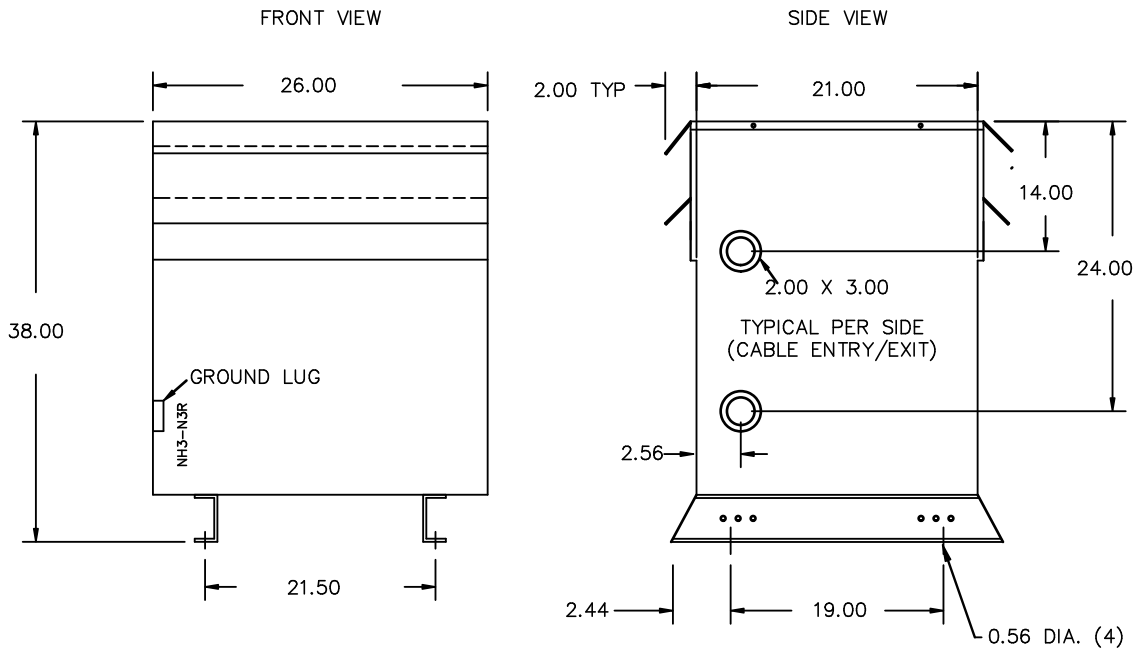
TITLE: 3PH DRIVE TRANSFORMER
NAMEPLATE INFORMATION

| | | | | |
|-----|----------|----|------------------|----------------|
| 6 | 21/07/16 | PP | EDB UPDATE | DES: SHAERTEL |
| 5 | 13/05/08 | AS | CHANGED NPL VER: | DATE: 99/08/13 |
| NO. | DATE | BY | REVISION | SCALE: NTS |

SHEET 1 OF 2

EDBDM093JC

6.0 httpd 2026/04/06 00:32 THIS DRAWING CONTAINS STRICTLY CONFIDENTIAL INFORMATION BELONGING TO HAMMOND POWER SOLUTIONS AND MUST NOT BE DISTRIBUTED OUTSIDE AUTHORIZED PARTIES.



All Dimensions in inches

ENCLOSURE COLOR :ANSI 61 GREY- OUTDOOR

HV TERMINAL DETAIL

LV TERMINAL DETAIL

MECHANICAL TYPE LUGS INCLUDED
SUITABLE FOR 250MCM-6 CU/AL
CONDUCTORS
1 CONDUCTOR PER PHASE

MECHANICAL TYPE LUGS INCLUDED
SUITABLE FOR 600MCM-2 CU/AL
CONDUCTORS
1 CONDUCTOR PER PHASE

CUSTOMER NOTES:

- HV TERMINATED AT TOP FRONT
- LV TERMINATED AT BOTTOM FRONT
- C/W 1-"NC"- THERMOSTAT PER COIL CONNECTED TO T.B.



TITLE: 3PH DRIVE TRANSFORMER

| | | | | |
|-----|----------|----|------------------|----------------|
| 6 | 21/07/16 | PP | EDB UPDATE | DES: SHAERTEL |
| 5 | 13/05/08 | AS | CHANGED NPL VER: | DATE: 99/08/13 |
| NO. | DATE | BY | REVISION | SCALE: NTS |

SHEET 2 OF 2

EDBDM093JC