



® LR 3902

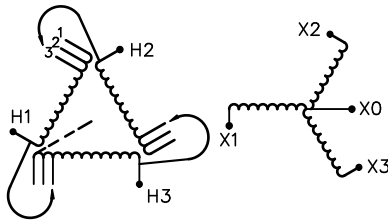
UL DRY TYPE TRANSFORMER 774J5 E112313

LISTED

GUELPH, ONT. BARABOO, WI COMPTON, CA MONTERREY, MX

THREE PHASE DRY TYPE DRIVE ISOLATION TRANSFORMER  
TRANSFORMATEUR TRIPHASE POUR VARIATEUR DE VITESSE DE MOTEURS

HV/HT	575V				Cust. Ref. Réf. du client	
BIL	-				Serial No. No. de série	
TERM. BORNES	H1 H2 H3				Part No. No. de pièce	DM075NJC
	VOLTS	CURRENT COURANT	% RATED VOLTAGE % TENSION NOMINALE	CONNECTION EACH PHASE CONNEXION PAR PHASE	kVA	75
	604	71.7	105	1	TYPE	K
	575	75.3	100	2	Cooling Refroidissement	ANN
	546	79.3	95	3	Temp. Rise Echauffement	150 °C
					Temp. Class Classe de Temp.	220 °C
					Frequency Fréquence	60 Hz
					Impédance % @ 170 °C	4
LV/BT	460Y/266V				Encl. Type Type de boîtier	3R
BIL	-				Wt Poids	650 lbs
TERM. BORNES	X0 X1 X2 X3				Winding Enroulement	CU



SPACINGS BETWEEN ANY VENTILATED ENCLOSURE PANEL AND ANY ADJACENT WALL SHALL BE A MINIMUM OF 3 INCHES

d003102b



TITLE: 3PH DRIVE TRANSFORMER  
NAMEPLATE INFORMATION

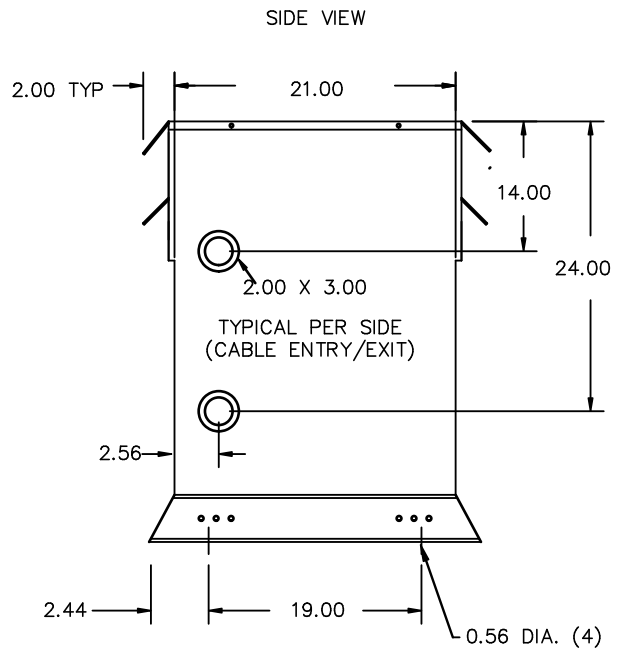
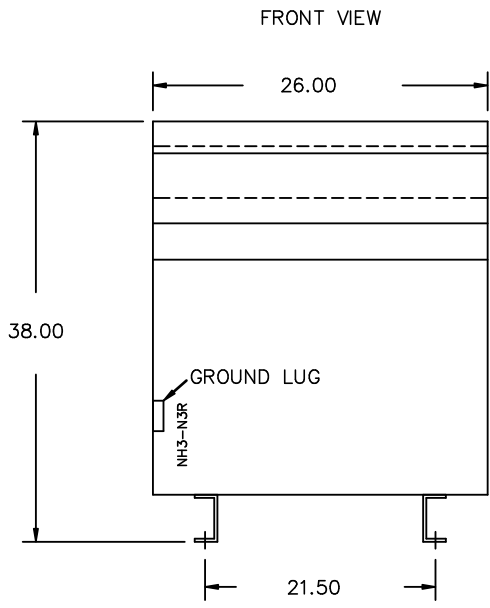
4	21/07/16	PP	EDB UPDATE	DES: MBURSAC
3	17/11/21	RM	CHANGED NPL VER;	DATE: 01/05/01
NO.	DATE	BY	REVISION	SCALE: NTS

SHEET 1 OF 2

EDBDM075NJC

4.0 httpd 2026/06/25 03:15

THIS DRAWING CONTAINS STRICTLY CONFIDENTIAL INFORMATION BELONGING TO HAMMOND POWER SOLUTIONS AND MUST NOT BE DISTRIBUTED OUTSIDE AUTHORIZED PARTIES.



All Dimensions in inches

ENCLOSURE COLOR :ANSI 61 GREY- OUTDOOR

HV TERMINAL DETAIL

LV TERMINAL DETAIL

MECHANICAL TYPE LUGS INCLUDED  
SUITABLE FOR #2/0-14 CU/AL  
CONDUCTORS  
1 CONDUCTOR PER PHASE

MECHANICAL TYPE LUGS INCLUDED  
SUITABLE FOR #2/0-14 CU/AL  
CONDUCTORS  
1 CONDUCTOR PER PHASE

CUSTOMER NOTES:

- HV TERMINATED AT TOP FRONT
- LV TERMINATED AT BOTTOM FRONT
- C/W 1-"NC"- THERMOSTAT PER COIL CONNECTED TO T.B.



TITLE: 3PH DRIVE TRANSFORMER

4	21/07/16	PP	EDB UPDATE	DES: MBURSAC
3	17/11/21	RM	CHANGED NPL VER;	DATE: 01/05/01
NO.	DATE	BY	REVISION	SCALE: NTS

SHEET 2 OF 2

EDBDM075NJC